



FRAMED

Product Specification Guide

Table of Contents

ABOUT US	2
CONSTRUCTION SPECIFICATIONS	3
GLASSDOOR CUTOUT SPECIFICATIONS	4
FRAMED CABINET	
Shaker	6
Everest	7
Builder Grade	7
Oakley	8
Cambridge	9
Henley	10
PRICE AND AVAILABILITY	11
BASE CABINETS	22
WALL CABINETS	39
TALL CABINETS	52
VANITY CABINETS	55
MOULDING	59
FILLERS AND PANELS	62
MOULDING	66
TERMS AND CONDITIONS	68
FAQ	71
WARRANTY INFORMATION	73

ABOUT US

Cabinet Corp is a blend of cabinetry professionals from many different areas of the cabinet industry. This mix of knowledge and experience has allowed us to build a company that truly understands the needs of its customers. Our focus is on providing products that exceed our customers' expectations in quality, price and service.

Quality:

Our products are designed to the highest standards in style and function. We start by selecting only high quality raw materials, hardware, adhesives and finishes. This bundle of superior components is the first step to securing your long-term satisfaction.

The second step is a state-of-the-art manufacturing process which ensures consistent production across the board. We have worked diligently to cut out waste and eliminate bottlenecks. New manufacturing technologies are quickly implemented as they become available to the industry. The result is streamlined and efficient production costs which support a very competitive sales price for our products.

The final step is thorough inspections. Components are inspected for quality at the completion of each step of the manufacturing process. When the entire process is complete, each batch of products are compared with a control group to make sure it will match warehouse inventory perfectly. These quality standards were established so our customers have confidence in the consistent quality of our construction, color and finish.

Service:

We believe a product is only as good as the service that supports it. We spend a lot of time developing materials, processes and policies in order to make sure our customers are better served.

The services we provide can be divided into three categories: supporting materials, order processing and customer service. Large strides have been made to ensure all of the pertinent information customers seek is readily available. Marketing materials are constantly being developed and distributed to help our customers educate their clientele. We understand that these are the sales tools required to successfully sell our product in your showrooms.

Our automated order processing system has allowed us to eliminate many unnecessary steps, significantly reducing our lead time. Orders placed online seamlessly flow through our inventory control and accounting systems.

We have a great team of experienced cabinet professionals ready to hear your concerns and answer your questions. Most importantly we listen to the input our customers give us and make sure your suggestions are addressed as we continually seek ways to better serve you. The goal is to establish a mutually beneficial relationship in which we can grow our businesses around.

Construction Specifications

(*Specifications subject to change without notice)



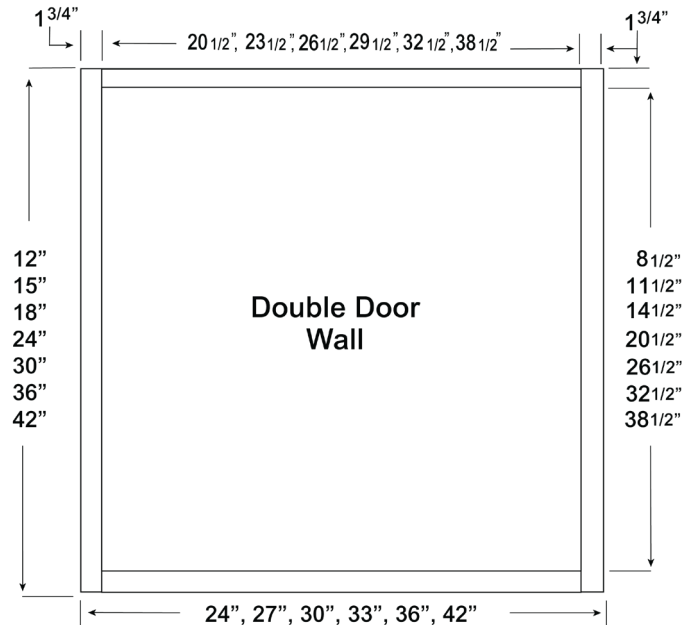
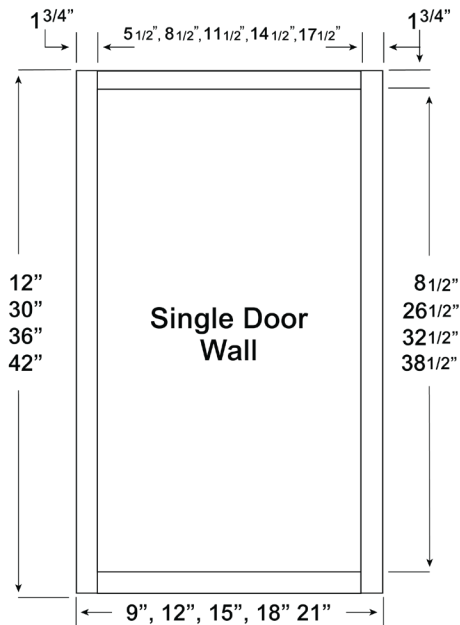
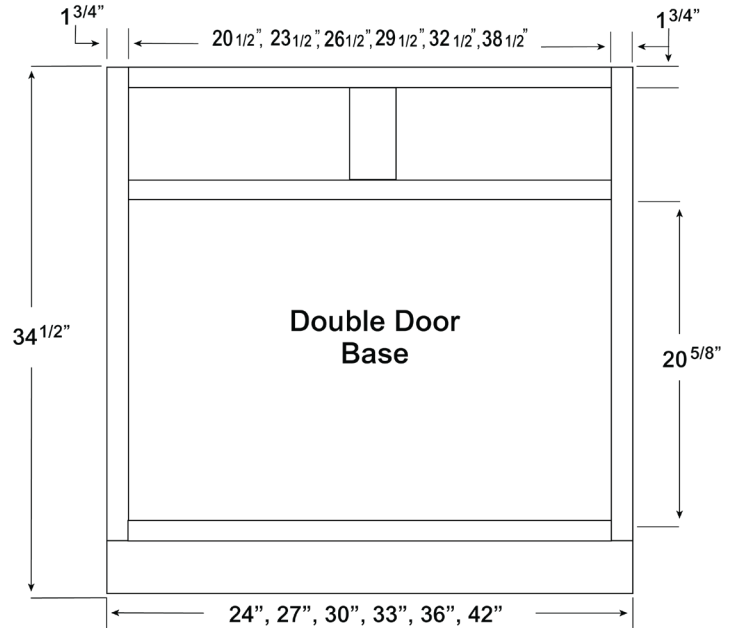
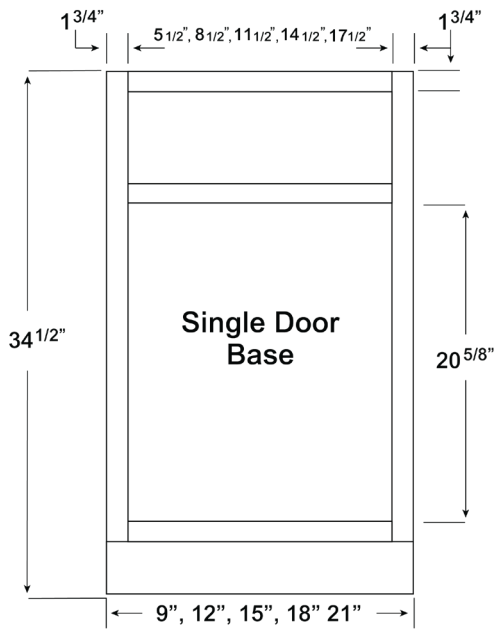
Framed Cabinets are typically the standard you would see in most American homes. The framed construction uses a face frame that is attached to the cabinet box, adding additional sturdiness to the cabinet box. With the presence of rails and stiles on the face frame, they make for easier installation and door/drawer adjustments.

- 1 UV Coated Natural Plywood Interior
- 2 5 Piece Door Construction
- 3 6 Way Adjustable European Style Hinge with Soft-Close Features
- 4 5 Piece Drawer Front Construction
- 5 5/8" Dovetail Drawer Box
- 6 .75"x1.75" Hardwood Face Frame
- 7 Undermounted Full Extension Soft-Close Drawer Glides
- 8 .75" Plywood Shelf with Front Edge Banding
- 9 .5" Plywood Full Height Back Panel
- 10 .5" Plywood Box with UV Coated Matching Exterior

Construction Specifications

CABINET FRAME & OPENING DIMENSIONS - 1 3/4

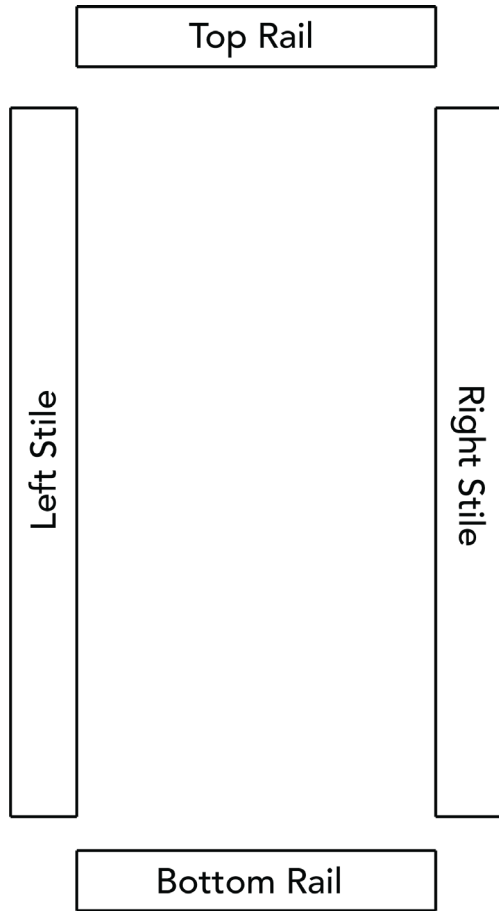
- Height of all base cabinet openings is 20 5/8"
- Cabinet Size - 3 1/2" will give you opening
- Example B30: 30" - 3 1/2" = 26 1/2"



Glassdoor Cutout Specifications

We offer various sized framed wall cabinets that have the doors routed for glass inserts and have an interior matching the cabinet exterior.

While these cabinets do not come equipped with glass or mullions, we have developed an easy to follow formula to help **estimate** the proper sized insert for your door while placing orders.



Height Configuration:

$$\text{Door Height}^* - (2 \times \text{Door Style Rail Width}) + 1\frac{1}{2}''$$

Width Configuration:

$$\text{Door Width}^* - (2 \times \text{Door Style Stile Width}) + 1\frac{1}{2}''$$

Door Style	Rail Width	Stile Width
Shaker	2¾"	2¾"
Everest	2¾"	2¾"
Oakley	2¾"	2¾"
Cambridge	3"	3"
Builder Grade	2"	2"

*Door height and width information is located in the Specification Manual.

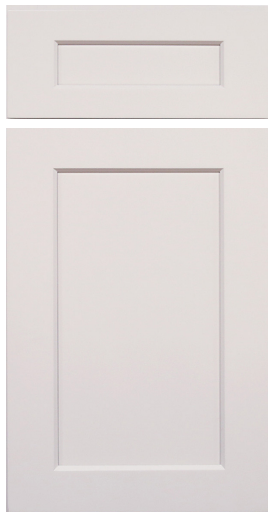
DISCLAIMER: This formula is to be used as an estimation tool only. We recommend that physical measurements are taken prior to ordering your inserts. We cannot guarantee the exact dimensions determined when using the formula provided.

Shaker

The **Shaker** door profile offers a five piece door with a mortise and tenon frame featuring a 45° inside bevel and flat recessed center panel.



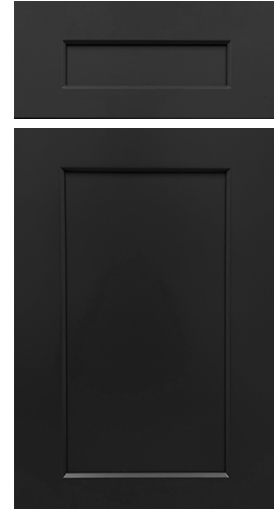
White



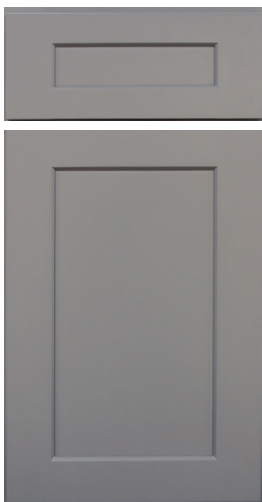
Dusk



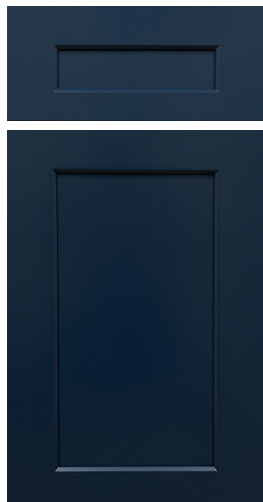
Antique White



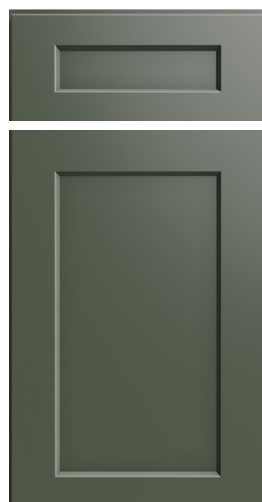
Black



Gray

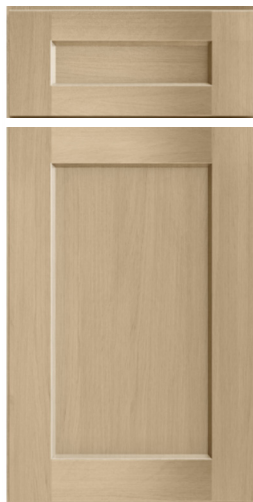


Navy



Ivywood

- Framed Cabinet with Full Overlay Doors and Drawers
- Undermount Full Extension Soft Close Drawer Glides
- Concealed European Style Hinges with Soft Close Feature
- Painted HDF Door
- ½" Plywood Box with UV Coated Matching Exterior
- Glue and Staple or Metal Clip Assembly
- UV Coated Natural Interior



Hazelnut



Charcoal Gray



Elegant Oak

- Framed Cabinet with Full Overlay Doors and Drawers
- Undermount Full Extension Soft Close Drawer Glides
- Concealed European Style Hinges with Soft Close Feature
- Stained Solid Birch Frame with Veneered Center Panel
- ½" Plywood Box with UV Stained Exterior
- Glue and Staple or Metal Clip Assembly
- UV Coated Natural Interior

Everest

The **Everest** door profile offers a five piece door with a mortise and tenon frame featuring a contemporary, skinny Shaker profile.



Slim Shaker White

- Framed Cabinet with Full Overlay Doors and Drawers
- Undermount Full Extension Soft Close Drawer Glides
- Concealed European Style Hinges with Soft Close Feature
- Painted HDF Door
- ½" Plywood Box with UV Coated Matching Exterior
- Glue and Staple or Metal Clip Assembly
- UV Coated Natural Interior

Builder Grade

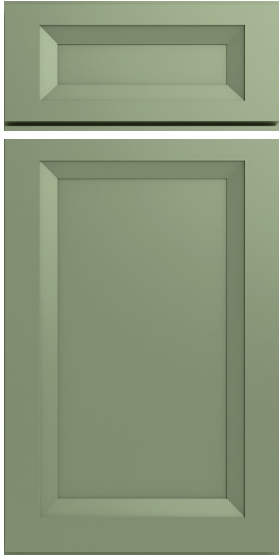
The **Lanier** door profile offers a five piece door with a mortise and tenon frame featuring a 45° inside bevel and flat recessed center panel.



- 5 Piece HDF Door
- Framed Cabinet with Full Overlay Doors and Drawers
- 1/2" Plywood Box with Matching UV Coated Exterior
- UV Coated Natural Interior
- 6-Way Adjustable Hinges with Soft Close Feature
- Under Mount Full Extension Soft Close Drawer Glides

Oakley

The **Oakley** door profile offers a five piece door with a mortise and tenon frame featuring a wide angled inside bevel and flat recessed center panel.



Sage Green



Whisper White

- Framed Cabinet with Full Overlay Doors and Drawers
- Undermount Full Extension Soft Close Drawer Glides
- Concealed European Style Hinges with Soft Close Feature
- Painted HDF Door
- ½" Plywood Box with UV Coated Matching Exterior
- Glue and Staple or Metal Clip Assembly
- UV Coated Natural Interior



Machine Grey

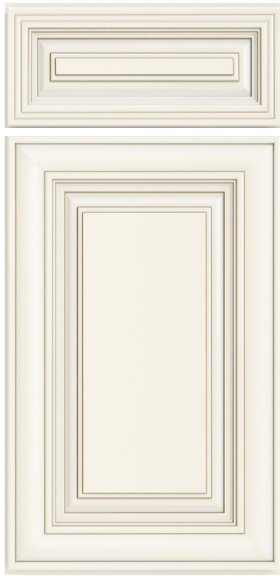


Tawny Brown

- Framed Cabinet with Full Overlay Doors and Drawers
- Undermount Full Extension Soft Close Drawer Glides
- Concealed European Style Hinges with Soft Close Feature
- Stained Solid Birch Frame with Veneered Center Panel
- ½" Plywood Box with UV Stained Exterior
- Glue and Staple or Metal Clip Assembly
- UV Coated Natural Interior

Cambridge

The **Cambridge** door profile offers a five piece door with a mitered frame featuring pillowed bevels, a raised center panel, and hand glazed details throughout.



Antique White

- Framed Cabinet with Full Overlay Doors and Drawers
- Undermount Full Extension Soft Close Drawer Glides
- Concealed European Style Hinges with Soft Close Feature
- Painted HDF Door
- ½" Plywood Box with UV Coated Matching Exterior
- Glue and Staple or Metal Clip Assembly
- UV Coated Natural Interior



Sable

- Framed Cabinet with Full Overlay Doors and Drawers
- Undermount Full Extension Soft Close Drawer Glides
- Concealed European Style Hinges with Soft Close Feature
- Stained Solid Birch Frame with Veneered Center Panel
- ½" Plywood Box with UV Stained Exterior
- Glue and Staple or Metal Clip Assembly
- UV Coated Natural Interior

Henley

The **Henley** door profile offers a recessed center panel and pillowed beveled, and hand glazed details throughout.



Drift

- Framed Cabinet with Full Overlay Doors and Drawers
- Undermount Full Extension Soft Close Drawer Glides
- Concealed European Style Hinges with Soft Close Feature
- Five Piece HDF Door and Drawer
- ½" Plywood Box with UV Coated Matching Exterior
- Glue and Staple or Metal Clip Assembly
- UV Coated Natural Interior



Elwood

- Framed Construction
- Stained Cabinet with Full Overlay Doors and Drawers
- Birch Door Frame with Veneered MDF Center Panel Faces
- Under Mount Full Extension Soft Close Drawer Glides
- Concealed Adjustable European Style Hinges with Soft Close Feature
- 1/2" Plywood Box with UV Coated Matching Exterior
- UV Coated Natural Interior

Pricing and Availability

Cabinet	Weight	Shaker White (SW) Shaker Antique White (SA) Shaker Dusk (SD) Shaker Grey (SG)	Shaker Ivywood, Navy, Black (SI)(SN)(SB) Shaker Hazelnut, Charcoal (SH)(SC) Everest Slim Shaker White (EW)	Oakley Whisper White, Sage (OW)(OS) Cambridge Antique White (CW) Cambridge Saddle (CS) Henley Dune (HD)	Oakley Machine Grey, Tawny Brown (OM)(OT) Henley Elwood (HE)
Full Height Single Door Bases					
BT9	38	\$389	\$430	\$452	\$472
B12FH*	46	\$753	\$821	\$874	\$914
B15FH*	52	\$847	\$922	\$982	\$1,027
B18FH*	57	\$938	\$1,022	\$1,089	\$1,137
B21FH*	60	\$1,029	\$1,121	\$1,194	\$1,246
Full Height Single Door Bases					
B24FH*	66	\$1,159	\$1,262	\$1,346	\$1,404
B27FH*	72	\$1,272	\$1,384	\$1,476	\$1,541
B30FH*	82	\$1,397	\$1,521	\$1,622	\$1,692
B33FH*	87	\$1,544	\$1,681	\$1,793	\$1,870
B36FH*	102	\$1,650	\$1,796	\$1,916	\$1,999
Single Door Single Drawer Bases					
B12	51	\$542	\$599	\$629	\$657
B15	57	\$599	\$661	\$694	\$727
B18	62	\$654	\$722	\$759	\$792
B21	66	\$707	\$782	\$821	\$857
Single Door Single Drawer Bases - ADA					
B12ADA†	46	\$604†	X	X	X
B15ADA†	52	\$668†	X	X	X
B18ADA†	56	\$729†	X	X	X
Double Door Single Drawer Bases					
B24	72	\$776	\$859	\$902	\$940
B27	78	\$852	\$942	\$989	\$1,032
B30S	79	\$941	\$1,041	\$1,093	\$1,139
Double Door Single Drawer Bases - ADA					
B24ADA†	46	\$865†	X	X	X
B30SADA†	52	\$1,049†	X	X	X
Double Door Double Drawer Bases					
B33	94	\$1,052	\$1,162	\$1,220	\$1,273
B36	100	\$1,121	\$1,239	\$1,301	\$1,358
B39†	108	\$1,150†	X	X	X
B42	109	\$1,188	\$1,314	\$1,380	\$1,439
Double Door Double Drawer Bases - ADA					
B36ADA†	90	\$1,249†	X	X	X
Sink Bases					
SB30S	69	\$770	\$851	\$894	\$932
SB33	72	\$831	\$918	\$964	\$1,006
SB36	76	\$842	\$930	\$977	\$1,020
Sink Bases - ADA					
SB30SADA†	62	\$975†	X	X	X
SB36ADA†	69	\$1,067†	X	X	X

* Kit item. Will arrive in multiple boxes if ordered RTA.

Pricing and Availability

Cabinet	Weight	Shaker White (SW) Shaker Antique White (SA) Shaker Dusk (SD) Shaker Grey (SG)	Shaker Ivywood, Navy, Black (SI)(SN)(SB) Shaker Hazelnut, Charcoal (SH)(SC) Everest Slim Shaker White (EW)	Oakley Whisper White, Sage (OW)(OS) Cambridge Antique White (CW) Cambridge Saddle (CS) Henley Dune (HD)	Oakley Machine Grey, Tawny Brown (OM)(OT) Henley Elwood (HE)
Farm Sink Bases					
FSB30	70	\$693	\$766	\$804	\$840
FSB36	76	\$842	\$930	\$977	\$1,020
Diagonal Corner Sink					
DCFF42	29	\$520	\$557	\$577	\$595
DCSF42	29	\$352	\$389	\$408	\$426
UV-SBF4242	23	\$168	\$168	\$168	\$168
Two Drawer Bases					
2DB24	81	\$1,048	\$1,157	\$1,215	\$1,269
2DB30	94	\$1,182	\$1,307	\$1,372	\$1,431
2DB36	105	\$1,344	\$1,485	\$1,560	\$1,628
Three Drawer Bases					
3DB12	75	\$796	\$879	\$923	\$964
3DB15	82	\$874	\$966	\$1,014	\$1,058
3DB18	89	\$933	\$1,031	\$1,083	\$1,130
3DB21	95	\$990	\$1,095	\$1,149	\$1,200
3DB24	102	\$1,050	\$1,160	\$1,218	\$1,271
3DB27	114	\$1,123	\$1,241	\$1,303	\$1,360
3DB30	125	\$1,184	\$1,309	\$1,374	\$1,433
3DB33	132	\$1,264	\$1,398	\$1,468	\$1,533
3DB36	141	\$1,346	\$1,488	\$1,562	\$1,630
Three Drawer Bases - ADA					
3DB15ADA†	74	\$974†	X	X	X
3DB18ADA†	80	\$1,040†	X	X	X
Base Easy Reach					
BER33	89	\$924	\$1,022	\$1,073	\$1,120
BER36	99	\$1,021	\$1,129	\$1,185	\$1,237
Base Easy Reach - ADA					
BER36ADA†	89	\$1,138†	X	X	X
Base Easy Reach with Lazy Susan TraysW					
LSB33	89	\$1,317	\$1,415	\$1,466	\$1,512
LSB36	99	\$1,414	\$1,522	\$1,578	\$1,630
Base Easy Reach with Lazy Susan Trays - ADA					
LSB36ADA†	89	\$1,531†	X	X	X
Blind Base Corner					
BBC36	70	\$730	\$807	\$847	\$884
BBC42	87	\$891	\$984	\$1,034	\$1,079
BBC45	98	\$997	\$1,102	\$1,157	\$1,208

* Kit item. Will arrive in multiple boxes if ordered RTA.

† Available in Shaker White ONLY

Pricing and Availability

Cabinet	Weight	Shaker White (SW) Shaker Antique White (SA) Shaker Dusk (SD) Shaker Grey (SG)	Shaker Ivywood, Navy, Black (SI)(SN)(SB) Shaker Hazelnut, Charcoal (SH)(SC) Everest Slim Shaker White (EW)	Oakley Whisper White, Sage (OW)(OS) Cambridge Antique White (CW) Cambridge Saddle (CS) Henley Dune (HD)	Oakley Machine Grey, Tawny Brown (OM)(OT) Henley Elwood (HE)
Pullout Organizer Shelf Base Kit					
BT9PO*	60	\$1,297	\$1,338	\$1,359	\$1,379
Trash Can Pullout Base Kits					
B15FHTCPO*	82	\$1,835	\$1,910	\$1,970	\$2,015
B18FHTCPO*	90	\$1,959	\$2,043	\$2,110	\$2,158
B21FHTCPO*	98	\$2,069	\$2,160	\$2,234	\$2,286
B15TCPO*	80	\$1,587	\$1,649	\$1,682	\$1,714
B18TCPO*	87	\$1,675	\$1,743	\$1,779	\$1,813
B21TCPO*	94	\$1,747	\$1,821	\$1,860	\$1,896
Tray Divider Base Kits					
B12FHTD*	63	\$885	\$953	\$1,006	\$1,046
B15FHTD*	71	\$986	\$1,060	\$1,121	\$1,165
B18FHTD*	85	\$1,136	\$1,219	\$1,287	\$1,335
B12TD*	48	\$693	\$749	\$779	\$808
B15TD*	53	\$755	\$817	\$850	\$883
B18TD*	58	\$876	\$945	\$981	\$1,015
Single Rollout Shelf Base Kits					
B18FH1RS*	68	\$1,095	\$1,179	\$1,246	\$1,294
B21FH1RS*	73	\$1,198	\$1,290	\$1,364	\$1,416
B24FH1RS*	80	\$1,341	\$1,444	\$1,528	\$1,586
B27FH1RS*	87	\$1,465	\$1,577	\$1,669	\$1,734
B30FH1RS*	98	\$1,601	\$1,725	\$1,826	\$1,896
B33FH1RS*	104	\$1,760	\$1,896	\$2,008	\$2,085
B36FH1RS*	120	\$1,876	\$2,022	\$2,141	\$2,225
B181RS*	58	\$811	\$879	\$916	\$949
B211RS*	62	\$877	\$951	\$990	\$1,026
B241RS*	68	\$958	\$1,041	\$1,083	\$1,122
B271RS*	73	\$1,046	\$1,135	\$1,182	\$1,226
B30S1RS*	84	\$1,145	\$1,244	\$1,296	\$1,343
B331RS*	89	\$1,267	\$1,377	\$1,435	\$1,489
B361RS*	94	\$1,346	\$1,465	\$1,527	\$1,583
B18ADA1RS*†	58	\$886†	X	X	X
B24ADA1RS*†	68	\$1,047†	X	X	X
B30SADA1RS*†	84	\$1,253†	X	X	X
B36ADA1RS*†	94	\$1,475†	X	X	X
Double Rollout Shelf Base Kits					
B18FH2RS*	79	\$1,252	\$1,336	\$1,403	\$1,451
B21FH2RS*	84	\$1,368	\$1,459	\$1,533	\$1,585
B24FH2RS*	94	\$1,523	\$1,626	\$1,710	\$1,768
B27FH2RS*	102	\$1,659	\$1,770	\$1,862	\$1,927
B30FH2RS*	114	\$1,805	\$1,928	\$2,029	\$2,100
B33FH2RS*	121	\$1,975	\$2,111	\$2,224	\$2,300

* Kit item. Will arrive in multiple boxes if ordered RTA.

† Available in Shaker White ONLY

Pricing and Availability

Cabinet	Weight	Shaker White (SW) Shaker Antique White (SA) Shaker Dusk (SD) Shaker Grey (SG)	Shaker Ivywood, Navy, Black (SI)(SN)(SB) Shaker Hazelnut, Charcoal (SH)(SC) Everest Slim Shaker White (EW)	Oakley Whisper White, Sage (OW)(OS) Cambridge Antique White (CW) Cambridge Saddle (CS) Henley Dune (HD)	Oakley Machine Grey, Tawny Brown (OM)(OT) Henley Elwood (HE)
Double Rollout Shelf Base Kits					
B36FH2RS*	138	\$2,101	\$2,247	\$2,367	\$2,450
B182RS*	84	\$968	\$1,036	\$1,073	\$1,106
B212RS*	90	\$1,046	\$1,121	\$1,160	\$1,195
B242RS*	100	\$1,140	\$1,222	\$1,265	\$1,304
B272RS*	108	\$1,239	\$1,328	\$1,376	\$1,419
B30S2RS*	121	\$1,349	\$1,448	\$1,500	\$1,547
B332RS*	128	\$1,482	\$1,593	\$1,651	\$1,704
B362RS*	136	\$1,572	\$1,690	\$1,752	\$1,809
B18ADA2RS*†	84	\$1,043†	X	X	X
B24ADA2RS*†	100	\$1,229†	X	X	X
B30SADA2RS*†	121	\$1,457†	X	X	X
B36ADA2RS*†	136	\$1,701†	X	X	X
Triple Rollout Shelf Base Kits					
B18FH3RS*	90	\$1,409	\$1,493	\$1,560	\$1,608
B21FH3RS*	96	\$1,537	\$1,629	\$1,702	\$1,755
B24FH3RS*	108	\$1,705	\$1,808	\$1,892	\$1,950
B27FH3RS*	117	\$1,852	\$1,964	\$2,056	\$2,121
B30FH3RS*	130	\$2,009	\$2,132	\$2,233	\$2,304
B33FH3RS*	138	\$2,190	\$2,326	\$2,439	\$2,516
B36FH3RS*	156	\$2,327	\$2,473	\$2,592	\$2,676
Specialty Base Cabinets					
BEC24	57	\$695	\$767	\$806	\$799
BMW30	80	\$842	\$930	\$977	\$1,020
DFB18	68	\$733	\$811	\$851	\$888
DKD30	32	\$330	\$347	\$365	\$400
Single Door Wall Cabinets - 30"H					
W0930	28	\$299	\$332	\$348	\$363
W1230	31	\$331	\$366	\$384	\$401
W1530	36	\$387	\$428	\$450	\$469
W1830	41	\$439	\$485	\$510	\$532
W2130	45	\$491	\$543	\$570	\$595
Double Door Wall Cabinets - 30"H					
W2430	52	\$559	\$617	\$648	\$677
W2730	56	\$618	\$683	\$717	\$748
W3030	60	\$665	\$735	\$772	\$805
W3330	65	\$722	\$798	\$838	\$874
W3630†	69	\$767†	\$848	\$891	\$929
W3930†	77	\$820†	X	X	X
W4230†	82	\$877†	X	X	X

* Kit item. Will arrive in multiple boxes if ordered RTA.

† Available in Shaker White ONLY

Pricing and Availability

Cabinet	Weight	Shaker White (SW) Shaker Antique White (SA) Shaker Dusk (SD) Shaker Grey (SG)	Shaker Ivywood, Navy, Black (SI)(SN)(SB) Shaker Hazelnut, Charcoal (SH)(SC) Everest Slim Shaker White (EW)	Oakley Whisper White, Sage (OW)(OS) Cambridge Antique White (CW) Cambridge Saddle (CS) Henley Dune (HD)	Oakley Machine Grey, Tawny Brown (OM)(OT) Henley Elwood (HE)
Single Door Wall Cabinets - 36"H					
W0936	32	\$327	\$361	\$379	\$396
W1236	36	\$376	\$416	\$437	\$456
W1536	41	\$435	\$481	\$505	\$528
W1836	46	\$491	\$543	\$570	\$595
W2136	51	\$569	\$629	\$660	\$689
Double Door Wall Cabinets - 36"H					
W2436	59	\$657	\$725	\$761	\$795
W2736	64	\$713	\$788	\$827	\$864
W3036	68	\$768	\$849	\$892	\$930
W3336	73	\$828	\$914	\$959	\$1,002
W3636†	78	\$880†	\$974	\$1,023	\$1,065
W3936†	86	\$932†	X	X	X
W4236†	91	\$988†	X	X	X
Single Door Wall Cabinets - 42"H					
W0942	37	\$377	\$417	\$438	\$457
W1242	41	\$430	\$474	\$498	\$521
W1542	48	\$509	\$561	\$589	\$616
W1842	54	\$578	\$637	\$669	\$700
W2142	60	\$634	\$700	\$735	\$768
Double Door Wall Cabinets - 42"H					
W2442	68	\$762	\$843	\$885	\$923
W2742	74	\$816	\$901	\$946	\$988
W3042	80	\$877	\$969	\$1,017	\$1,062
W3342	85	\$942	\$1,042	\$1,094	\$1,141
W3642†	91	\$1,015†	\$1,122	\$1,178	\$1,230
W3942†	102	\$1,075†	X	X	X
W4242†	108	\$1,140†	X	X	X
Wall Easy Reach					
WER2430	66	\$786	\$869	\$912	\$952
WER2436	71	\$883	\$976	\$1,025	\$1,070
WER2442	83	\$1,029	\$1,137	\$1,194	\$1,246
Diagonal Corner Wall					
DCW2430	70	\$722	\$798	\$838	\$874
DCW2436	77	\$816	\$901	\$946	\$988
DCW2442	92	\$941	\$1,041	\$1,093	\$1,139
Wall Blind Corner					
WBC2730	53	\$536	\$593	\$622	\$650
WBC2736	59	\$603	\$667	\$701	\$731
WBC2742	69	\$703	\$777	\$815	\$851

* Kit item. Will arrive in multiple boxes if ordered RTA.

† Available in Shaker White ONLY

Pricing and Availability

Cabinet	Weight	Shaker White (SW) Shaker Antique White (SA) Shaker Dusk (SD) Shaker Grey (SG)	Shaker Ivywood, Navy, Black (SI)(SN)(SB) Shaker Hazelnut, Charcoal (SH)(SC) Everest Slim Shaker White (EW)	Oakley Whisper White, Sage (OW)(OS) Cambridge Antique White (CW) Cambridge Saddle (CS) Henley Dune (HD)	Oakley Machine Grey, Tawny Brown (OM)(OT) Henley Elwood (HE)
Wall Bridge Cabinets- 12" H					
W3012	30	\$375	\$415	\$435	\$454
W3612	34	\$413	\$456	\$479	\$500
Wall Bridge Cabinets- 15" H					
W3015	34	\$419	\$463	\$486	\$507
W3615	38	\$444	\$492	\$516	\$538
Wall Bridge Cabinets- 18" H					
W3018	38	\$456	\$504	\$529	\$553
W3618	43	\$498	\$550	\$577	\$603
Wall Bridge Cabinets- 24" H					
W3024	49	\$545	\$603	\$633	\$660
W3624	56	\$642	\$710	\$745	\$778
Wall Refrigerator Cabinets- 12" H (24" Deep)					
W301224	30	\$504	\$558	\$586	\$610
W331224	34	\$520	\$575	\$604	\$631
W361224	48	\$527	\$584	\$613	\$639
Wall Refrigerator Cabinets- 15" H (24" Deep)					
W301524	33	\$527	\$584	\$613	\$639
W331524	37	\$554	\$611	\$642	\$672
W361524	51	\$558	\$616	\$647	\$676
Wall Refrigerator Cabinets- 18" H (24" Deep)					
W301824	37	\$566	\$626	\$657	\$685
W331824	41	\$595	\$658	\$691	\$721
W361824	53	\$599	\$661	\$694	\$727
Wall Refrigerator Cabinets- 24" H (24" Deep)					
W302424	53	\$741	\$819	\$860	\$897
W332424	56	\$771	\$852	\$895	\$935
W362424	73	\$779	\$861	\$904	\$944
Single Door Wall Cabinets - Routed for Glass (with Finished Interior)					
W1530GD	36	\$409	\$451	\$474	\$496
W1536GD	41	\$459	\$507	\$533	\$556
W1542GD	47	\$536	\$593	\$622	\$650
Double Door Wall Cabinets - Routed for Glass (with Finished Interior)					
W2430GD	51	\$590	\$652	\$684	\$714
W2436GD	59	\$683	\$756	\$794	\$827
W2442GD	60	\$784	\$866	\$909	\$950
W3030GD	56	\$684	\$757	\$795	\$828
W3036GD	63	\$787	\$870	\$914	\$953
W3042GD	75	\$901	\$996	\$1,046	\$1,090
Wall Corner Cabinets - Routed for Glass (with Finished Interior)					
DCW2430GD	70	\$752	\$832	\$873	\$912
DCW2436GD	77	\$850	\$939	\$986	\$1,030
DCW2442GD	92	\$981	\$1,084	\$1,138	\$1,187

Pricing and Availability

Cabinet	Weight	Shaker White (SW) Shaker Antique White (SA) Shaker Dusk (SD) Shaker Grey (SG)	Shaker Ivywood, Navy, Black (SI)(SN)(SB) Shaker Hazelnut, Charcoal (SH)(SC) Everest Slim Shaker White (EW)	Oakley Whisper White, Sage (OW)(OS) Cambridge Antique White (CW) Cambridge Saddle (CS) Henley Dune (HD)	Oakley Machine Grey, Tawny Brown (OM)(OT) Henley Elwood (HE)
Wall Stacker Cabinets - 12"H - Routed for Glass (with Finished Interior)					
W1212GD	11	\$194	\$214	\$225	\$235
W1512GD	12	\$228	\$253	\$265	\$277
W1812GD	14	\$253	\$280	\$294	\$307
W2112GD	15	\$287	\$318	\$334	\$348
W2412GD	18	\$329	\$364	\$382	\$398
W2712GD	20	\$374	\$414	\$434	\$453
W3012GD	20	\$394	\$435	\$456	\$477
W3312GD	22	\$414	\$457	\$480	\$501
W3612GD	24	\$435	\$480	\$504	\$526
DCW2412GD	24	\$497	\$548	\$575	\$602
Wall Stacker Cabinets - 15"H - Routed for Glass (with Finished Interior)					
W1215GD	14	\$243	\$269	\$283	\$294
W1515GD	17	\$277	\$308	\$323	\$337
W1815GD	20	\$302	\$335	\$351	\$366
W2115GD	23	\$337	\$373	\$392	\$409
W2415GD	26	\$378	\$419	\$440	\$458
W2715GD	29	\$424	\$469	\$492	\$514
W3015GD	32	\$468	\$518	\$544	\$568
W3315GD	35	\$463	\$512	\$538	\$561
W3615GD	38	\$494	\$546	\$573	\$598
DCW2415GD	25	\$546	\$604	\$634	\$661
Wall Stacker Cabinets - 18"H - Routed for Glass (with Finished Interior)					
W1218GD	16	\$302	\$335	\$351	\$366
W1518GD	19	\$337	\$373	\$392	\$409
W1818GD	22	\$361	\$400	\$420	\$438
W2118GD	25	\$396	\$439	\$461	\$480
W2418GD	28	\$437	\$484	\$509	\$530
W2718GD	31	\$483	\$534	\$561	\$585
W3018GD	34	\$506	\$559	\$587	\$612
W3318GD	37	\$522	\$578	\$607	\$633
W3618GD	40	\$557	\$616	\$647	\$675
DCW2418GD	28	\$605	\$669	\$703	\$733
Angle Wall Cabinets					
AW1230	21	\$398	\$440	\$462	\$458
AW1236	23	\$433	\$478	\$502	\$498
AW1242	28	\$472	\$522	\$548	\$545
Wall Open Cabinet & Accessories					
WOC3018	33	\$300	\$300	\$300	\$331
WMS3018*	44	\$477	\$477	\$477	\$525
WXR3018*	44	\$402	\$402	\$402	\$443
WMSHELF	11	\$177	\$177	\$177	\$194
WXRSHelf	11	\$102	\$102	\$102	\$112

* Kit item. Will arrive in multiple boxes if ordered RTA.

Pricing and Availability

Cabinet	Weight	Shaker White (SW) Shaker Antique White (SA) Shaker Dusk (SD) Shaker Grey (SG)	Shaker Ivywood, Navy, Black (SI)(SN)(SB) Shaker Hazelnut, Charcoal (SH)(SC) Everest Slim Shaker White (EW)	Oakley Whisper White, Sage (OW)(OS) Cambridge Antique White (CW) Cambridge Saddle (CS) Henley Dune (HD)	Oakley Machine Grey, Tawny Brown (OM)(OT) Henley Elwood (HE)
Specialty Wall Cabinets & Accessories					
WWC630	83	\$322	\$322	\$322	\$353
SGH30	10	\$195	\$195	\$195	\$226
Floating Shelves					
FS36	15	\$331	\$331	\$331	\$364
FS48	21	\$391	\$391	\$391	\$430
FS60	24	\$504	\$504	\$504	\$555
Utility Cabinets - Two Doors					
U188424	136	\$1,537	\$1,699	\$1,783	\$1,861
U189024	143	\$1,589	\$1,756	\$1,844	\$1,924
U189624	150	\$1,663	\$1,838	\$1,930	\$2,014
Utility Cabinets - Four Doors					
U248424	165	\$1,815	\$2,006	\$2,107	\$2,198
U249024	172	\$1,888	\$2,087	\$2,192	\$2,286
U249624	180	\$1,982	\$2,189	\$2,299	\$2,400
U308424	171	\$1,941	\$2,146	\$2,253	\$2,350
U309024	179	\$2,022	\$2,235	\$2,347	\$2,449
U309624	186	\$2,126	\$2,350	\$2,468	\$2,574
Four Rollout Shelf Utility Cabinet Kits					
U1884244RS*	132	\$2,164	\$2,326	\$2,411	\$2,489
U1890244RS*	138	\$2,217	\$2,384	\$2,471	\$2,552
U1896244RS*	145	\$2,291	\$2,466	\$2,558	\$2,641
U2484244RS*	161	\$2,543	\$2,734	\$2,834	\$2,925
U2490244RS*	169	\$2,616	\$2,815	\$2,919	\$3,014
U2496244RS*	176	\$2,710	\$2,917	\$3,026	\$3,128
U3084244RS*	190	\$2,756	\$2,960	\$3,068	\$3,165
U3090244RS*	210	\$2,837	\$3,050	\$3,162	\$3,264
U3096244RS*	250	\$2,941	\$3,165	\$3,283	\$3,389
Oven Cabinets					
O338424	215	\$2,243	\$2,479	\$2,603	\$2,715
O339024	233	\$2,467	\$2,727	\$2,863	\$2,986
O339624	242	\$2,648	\$2,926	\$3,073	\$3,206
Full Height Door Vanity Sink Cabinets					
VS24FH*	61	\$998	\$1,083	\$1,158	\$1,210
VS27FH*	68	\$1,081	\$1,174	\$1,255	\$1,310
VS30FH*	69	\$1,133	\$1,229	\$1,315	\$1,362
VS33FH*	73	\$1,237	\$1,342	\$1,437	\$1,493
VS36FH*	79	\$1,342	\$1,456	\$1,559	\$1,626
Vanity Sink Cabinets					
VS24	54	\$615	\$680	\$714	\$745
VS27	58	\$662	\$732	\$768	\$801

* Kit item. Will arrive in multiple boxes if ordered RTA.

Pricing and Availability

Cabinet	Weight	Shaker White (SW) Shaker Antique White (SA) Shaker Dusk (SD) Shaker Grey (SG)	Shaker Ivywood, Navy, Black (SI)(SN)(SB) Shaker Hazelnut, Charcoal (SH)(SC) Everest Slim Shaker White (EW)	Oakley Whisper White, Sage (OW)(OS) Cambridge Antique White (CW) Cambridge Saddle (CS) Henley Dune (HD)	Oakley Machine Grey, Tawny Brown (OM)(OT) Henley Elwood (HE)
Vanity Sink Cabinets					
VS30S	59	\$676	\$748	\$786	\$809
VS33	61	\$745	\$823	\$864	\$896
VS36	73	\$813	\$899	\$944	\$984
Vanity Sink Cabinets - ADA					
VS36ADA*	66	\$1,029*	X	X	X
Vanity Drawer Base Cabinets					
3VDB12	68	\$775	\$857	\$899	\$939
3VDB15	74	\$831	\$919	\$965	\$1,007
3VDB18	80	\$887	\$979	\$1,028	\$1,074
3VDB24	86	\$995	\$1,100	\$1,155	\$1,206
Vanity Drawer Base Cabinets - ADA					
3VDB15ADA*	67	\$927*	X	X	X
Vanity Combination Cabinets					
V3021DL	96	\$1,038	\$1,148	\$1,205	\$1,257
V3021DR	96	\$1,038	\$1,148	\$1,205	\$1,257
V3621DL	106	\$1,149	\$1,270	\$1,334	\$1,392
V3621DR	106	\$1,149	\$1,270	\$1,334	\$1,392
VSD36	85	\$1,025	\$1,133	\$1,190	\$1,241
VSD42	95	\$1,137	\$1,256	\$1,319	\$1,376
VSD48	104	\$1,247	\$1,379	\$1,448	\$1,510
Vddb42	80	\$1,780	\$1,967	\$2,065	\$2,155
Vddb48	82	\$1,834	\$2,027	\$2,128	\$2,220
Specialty Vanity Cabinets					
VKD36	29	\$253	\$266	\$279	\$307
Crown Moldings					
ACM8†	1	\$158	\$158	\$158†	\$182
LACM8	4	\$204	\$204	\$204	\$235
COV†	10	\$288	\$288	\$288†	\$332
CM8‡	4	X	X	\$152‡	X
DCM	7	\$216	\$216	\$216	\$249
ICM‡	8	X	X	\$303‡	X
ROPE‡	1	X	X	\$55‡	X
Light Rail Mouldings					
ALRM†	1	\$254	\$254	\$254†	\$292
LRM	5	\$222	\$222	\$222	\$257
Trim Mouldings					
OCM	2	\$96	\$96	\$96	\$110
BAM	1	\$44	\$44	\$44	\$51
SCR	1	\$44	\$44	\$44	\$51
SHM	1	\$72	\$72	\$72	\$83

* Available in Shaker White ONLY

† This moulding is NOT available for the CAMBRIDGE door style.

‡ This moulding is available in the CAMBRIDGE door style ONLY.

Pricing and Availability

Cabinet	Weight	Shaker White (SW) Shaker Antique White (SA) Shaker Dusk (SD) Shaker Grey (SG)	Shaker Ivywood, Navy, Black (SI)(SN)(SB) Shaker Hazelnut, Charcoal (SH)(SC) Everest Slim Shaker White (EW)	Oakley Whisper White, Sage (OW)(OS) Cambridge Antique White (CW) Cambridge Saddle (CS) Henley Dune (HD)	Oakley Machine Grey, Tawny Brown (OM)(OT) Henley Elwood (HE)
Toe Kick Mouldings					
TKC	2	\$55	\$55	\$55	\$63
FBM	11	\$208	\$208	\$208	\$239
FBMS†	9	\$187	\$187	\$187†	\$208
Fillers					
F342	3	\$48	\$48	\$48	\$55
F396	6	\$148	\$148	\$148	\$170
F642	6	\$94	\$94	\$94	\$108
F696	12	\$236	\$236	\$236	\$272
Decorative Filler Overlays					
FOL630	3	\$54	\$60	\$63	\$67
FOL636	5	\$65	\$72	\$75	\$79
FOL642	6	\$77	\$85	\$90	\$94
Skin Panels					
BSV	4	\$72	\$72	\$72	\$83
WSV42	3	\$40	\$40	\$40	\$46
USV2496	10	\$134	\$134	\$134	\$155
FPV4296	47	\$267	\$267	\$267	\$308
BBFPV4296	47	\$514	\$514	\$514	\$591
Dishwasher Return Panel					
DWR3	16	\$168	\$168	\$168	\$194
Refrigerator End Panels					
REPV3096	37	\$431	\$431	\$431	\$497
REPVKIT*	38	\$455	\$455	\$455	\$521
Decorative End Panels					
BDEP	18	\$249	\$275	\$289	\$301
WDEP1212	9	\$121	\$133	\$140	\$148
WDEP1215	9	\$121	\$135	\$142	\$148
WDEP1218	9	\$121	\$133	\$140	\$148
WDEP30	10	\$121	\$133	\$140	\$148
WDEP36	12	\$140	\$155	\$163	\$170
WDEP42	14	\$159	\$176	\$184	\$193
TDEP2484	30	\$707	\$782	\$821	\$857
TDEP2490	30	\$762	\$843	\$885	\$923
TDEP2496	30	\$816	\$901	\$946	\$988
VDEP	12	\$229	\$254	\$266	\$278
Finished Shelf Board					
S2496	37	\$292	\$292	\$292	\$337
S3696	48	\$438	\$438	\$438	\$504
Accent Accessories					
MCB	4	\$412	\$412	\$412	\$474
CBT	6	\$265	\$265	\$265	\$306

† This moulding is NOT available for the CAMBRIDGE door style.

* The REPVKIT comes with the metal L-Brackets to attach the front filler to the panel.

Pricing and Availability

Cabinet	Weight	Shaker White (SW) Shaker Antique White (SA) Shaker Dusk (SD) Shaker Grey (SG)	Shaker Ivywood, Navy, Black (SI)(SN)(SB) Shaker Hazelnut, Charcoal (SH)(SC) Everest Slim Shaker White (EW)	Oakley Whisper White, Sage (OW)(OS) Cambridge Antique White (CW) Cambridge Saddle (CS) Henley Dune (HD)	Oakley Machine Grey, Tawny Brown (OM)(OT) Henley Elwood (HE)
Accent Accessories					
CLDL	10	\$368	\$368	\$368	\$424
SQDL	4	\$387	\$387	\$387	\$445
VASH48	11	\$200	\$211	\$222	\$243
Touch Up Kit & Spray Paint					
TUK	1	\$80	\$80	\$80	\$80
SprayPaint**†	1	\$15	\$15	\$15	X
Roll Out Shelves					
RS18-TypeA	11	\$157			
RS21-TypeA	12	\$169			
RS24-TypeA	14	\$182			
RS27-TypeA	15	\$193			
RS30-TypeA	16	\$204			
RS33-TypeA	17	\$215			
RS36-TypeA	18	\$226			
Sales Tools					
Sample Door†	7	\$10	\$10	\$10	\$12
Sample Door Bag†	16	\$225			
MerchHutch†	85	\$250			
B12-DisplayFront†	13	\$45	\$45	\$45	\$45
Trim Chain†	3	\$17			
10Swatch†	3	\$10	\$10	\$10	\$10

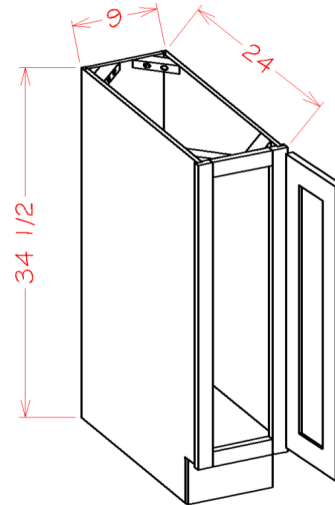
* Spray paint is available for PAINTED finishes ONLY.

† Item is Net Priced. Multipliers DO NOT apply.

Base Cabinets

Tray Base

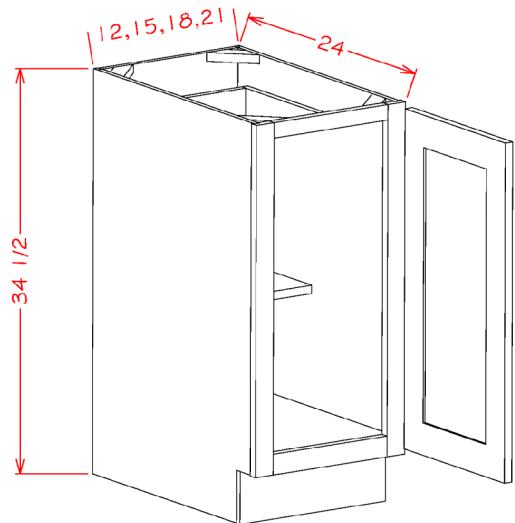
Model	Description	Width	Height	Depth
BT9	Cabinet Dimensions	9	34½	24
	Door Dimensions	8½	29	¾



Full Height Single Door Bases

Model	Description	Width	Height	Depth
B12FH	Cabinet Dimensions	12	34½	24
	Door Dimensions	11½	29	¾
B15FH	Cabinet Dimensions	15	34½	24
	Door Dimensions	14½	29	¾
B18FH	Cabinet Dimensions	18	34½	24
	Door Dimensions	17½	29	¾
B21FH	Cabinet Dimensions	21	34½	24
	Door Dimensions	20½	29	¾

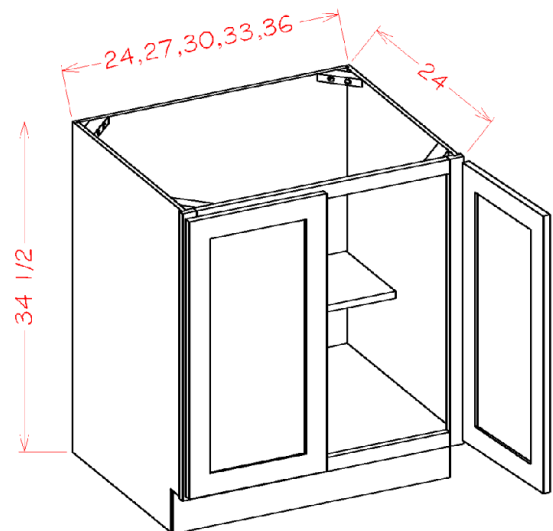
- Two boxes will be received when ordering this cabinet kit flat pack



Full Height Double Door Bases

Model	Description	Width	Height	Depth
B24FH	Cabinet Dimensions	24	34½	24
	Door Dimensions	11¾	29	¾
B27FH	Cabinet Dimensions	27	34½	24
	Door Dimensions	13¾	29	¾
B30FH	Cabinet Dimensions	30	34½	24
	Door Dimensions	14¾	29	¾
B33FH	Cabinet Dimensions	33	34½	24
	Door Dimensions	16¾	29	¾
B36FH	Cabinet Dimensions	36	34½	24
	Door Dimensions	17¾	29	¾

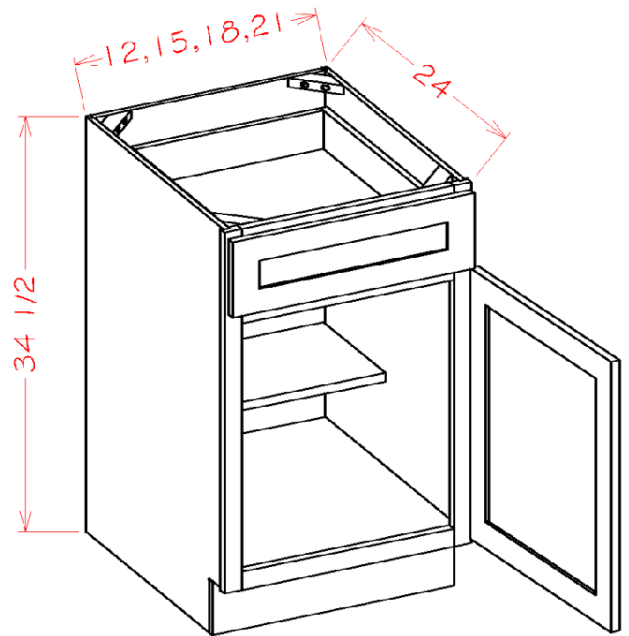
- Two boxes will be received when ordering this cabinet kit flat pack



Base Cabinets

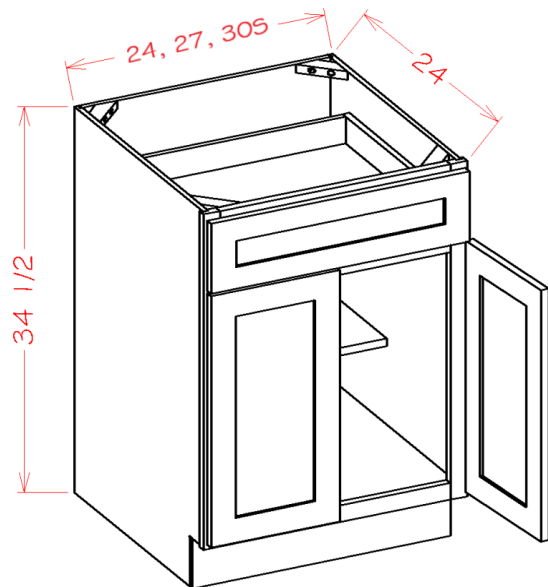
Single Door Single Drawer Bases

Model	Description	Width	Height	Depth
B12	Cabinet Dimensions	12	34½	24
	Door Dimensions	11½	22½	¾
	Drawer Front	11½	6¼	¾
	Drawer Box	8	3¼	20¾
B15	Cabinet Dimensions	15	34½	24
	Door Dimensions	14½	22½	¾
	Drawer Front	14½	6¼	¾
	Drawer Box	11	3¼	20¾
B18	Cabinet Dimensions	18	34½	24
	Door Dimensions	17½	22½	¾
	Drawer Front	17½	6¼	¾
	Drawer Box	14	3¼	20¾
B21	Cabinet Dimensions	21	34½	24
	Door Dimensions	20½	22½	¾
	Drawer Front	20½	6¼	¾
	Drawer Box	17	3¼	20¾



Double Door Single Drawer Bases

Model	Description	Width	Height	Depth
B24	Cabinet Dimensions	24	34½	24
	Door Dimensions	11¾	22½	¾
	Drawer Front	23½	6¼	¾
	Drawer Box	20	3¼	20¾
B27	Cabinet Dimensions	27	34½	24
	Door Dimensions	13¼	22½	¾
	Drawer Front	26½	6¼	¾
	Drawer Box	23	3¼	20¾
B30S	Cabinet Dimensions	30	34½	24
	Door Dimensions	14¾	22½	¾
	Drawer Front	29½	6¼	¾
	Drawer Box	26	3¼	20¾

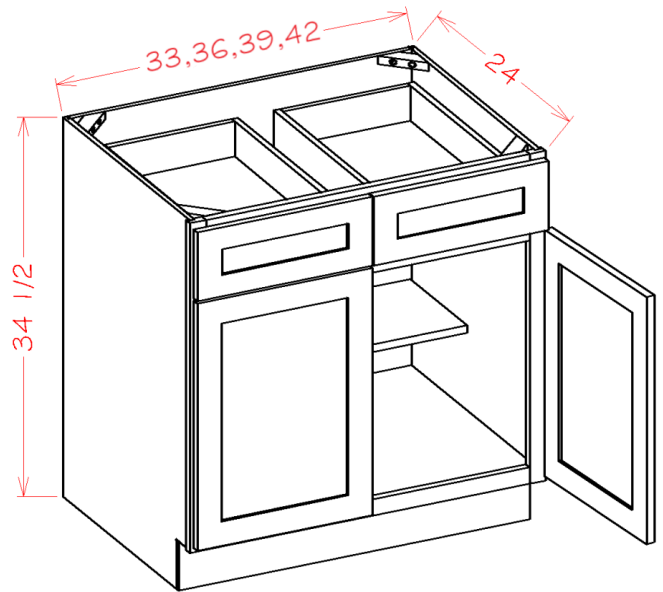


Base Cabinets

Double Door Double Drawer Bases

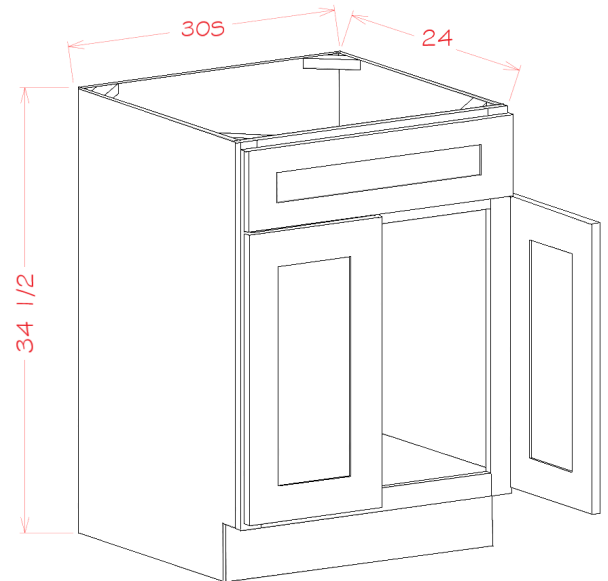
Model	Description	Width	Height	Depth
B33	Cabinet Dimensions	33	34½	24
	Door Dimensions	16¼	22½	¾
	Drawer Front	16¼	6¼	¾
	Drawer Box	13½	3¼	20¾
B36	Cabinet Dimensions	36	34½	24
	Door Dimensions	17¾	22½	¾
	Drawer Front	17¾	6¼	¾
	Drawer Box	15	3¼	20¾
B39*	Cabinet Dimensions	39	34½	24
	Door Dimensions	19¼	22½	¾
	Drawer Front	19¼	6¼	¾
	Drawer Box	17	3¼	20¾
B42	Cabinet Dimensions	42	34½	24
	Door Dimensions	20¾	22½	¾
	Drawer Front	20¾	6¼	¾
	Drawer Box	18	3¼	20¾

The B39 is only available in Shaker White (SW)



Sink Bases - Double Door Single Drawer Front

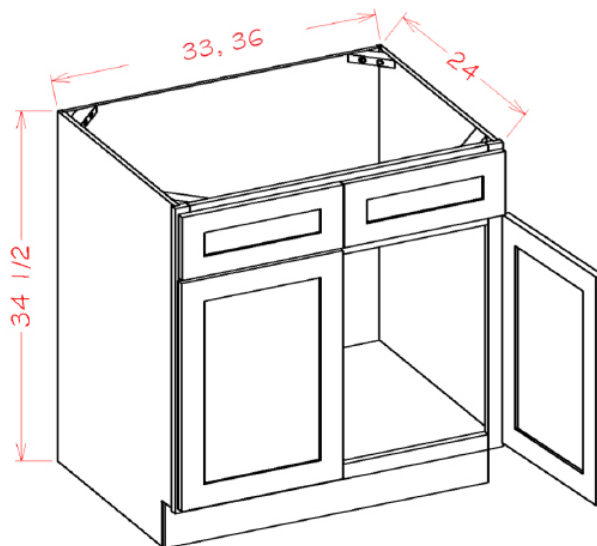
Model	Description	Width	Height	Depth
SB30S	Cabinet Dimensions	30	34½	24
	Door Dimensions	14¾	22½	¾
	Drawer Front	29½	6¼	¾



Base Cabinets

Sink Bases - Double Door Double Drawer Front

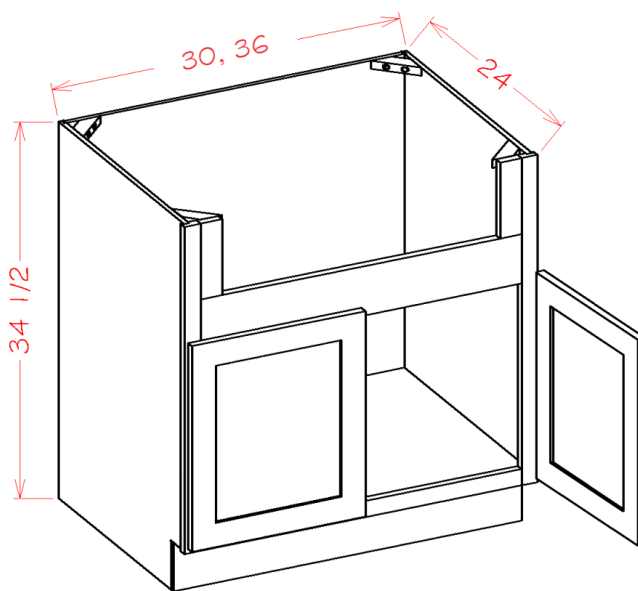
Model	Description	Width	Height	Depth
SB33	Cabinet Dimensions	33	34½	24
	Door Dimensions	16¼	22½	¾
	Drawer Front	16¼	6¼	¾
SB36	Cabinet Dimensions	36	34½	24
	Door Dimensions	17¾	22½	¾
	Drawer Front	17¾	6¼	¾



Sink Bases - Farm Sink

Model	Description	Width	Height	Depth
FSB30	Cabinet Dimensions	30	34½	24
	Sink Cutout Dimensions	23	7	–
	Door Dimensions	14¾	19	¾
FSB36	Cabinet Dimensions	36	34½	24
	Sink Cutout Dimensions	29	7	–
	Door Dimensions	17¾	19	¾

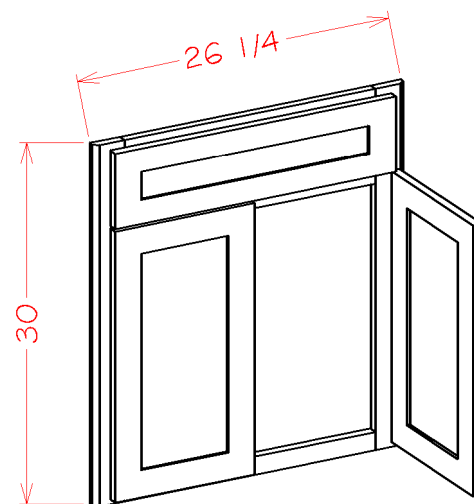
- FSB30 fits up to a 27"W x 10"H farm sink
- FSB36 fits up to a 33"W x 10"H farm sink



Sink Bases - Diagonal Sink Front

Model	Description	Width	Height	Depth
DCSF42	Cabinet Dimensions	26¼	30	¾
	Door Dimensions	11¾	22½	¾

- DCSF42 to be used in conjunction with SBF4242
- Available as a kit item SKU: DCFF42
- Toe Kick Not Included

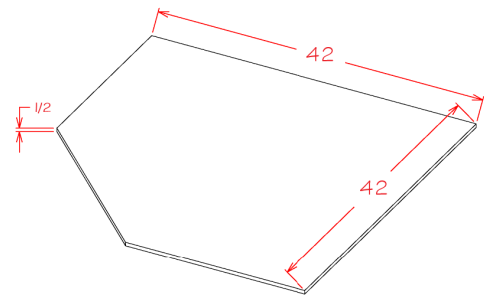


Base Cabinets

Sink Bases - Diagonal Sink Floor

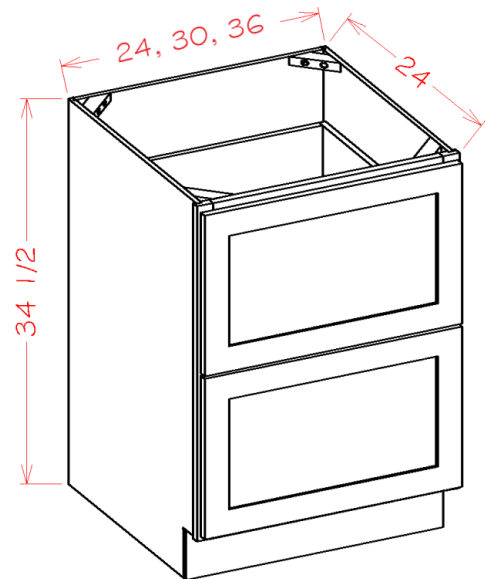
Model	Description	Width	Height	Depth
SBF4242	Floor Dimensions	42	1/2	42

- Sink floor only.
- SBF4242 to be used in conjunction with DCSF42



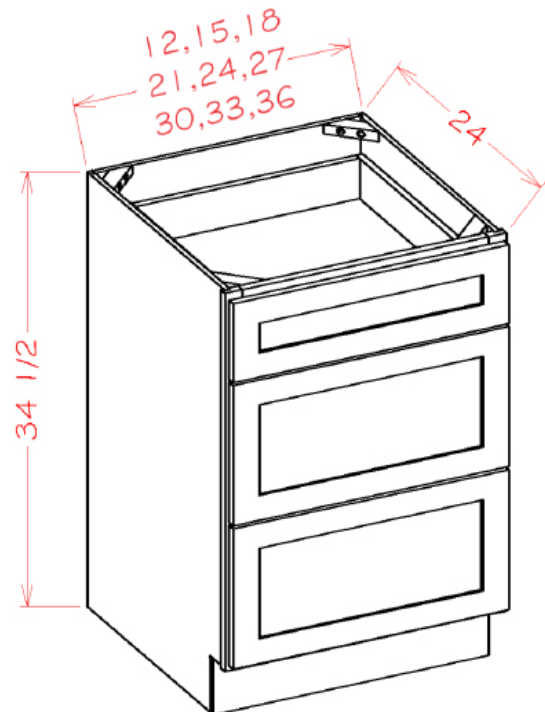
Two Drawer Bases

Model	Description	Width	Height	Depth
2DB24	Cabinet Dimensions	24	34 1/2	24
	Drawer Front	23 1/2	14 1/2	3/4
	Drawer Box	20	8 1/4	20 3/8
2DB30	Cabinet Dimensions	30	34 1/2	24
	Drawer Front	29 1/2	14 1/2	3/4
	Drawer Box	26	8 1/4	20 3/8
2DB36	Cabinet Dimensions	36	34 1/2	24
	Drawer Front	35 1/2	14 1/2	3/4
	Drawer Box	32	8 1/4	20 3/8



Three Drawer Bases

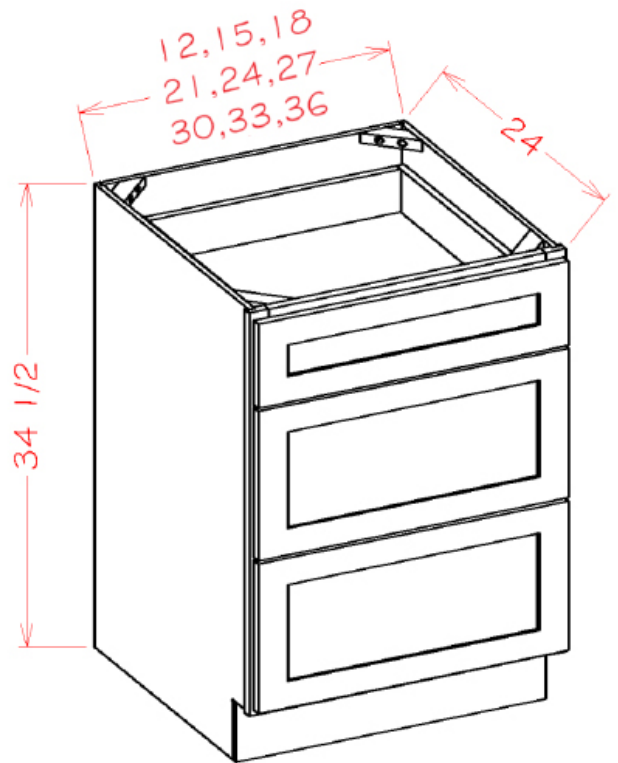
Model	Description	Width	Height	Depth
3DB12	Cabinet Dimensions	12	34 1/2	24
	Top Drawer Front	11 1/2	6 1/4	3/4
	Bot/Mid Drawer Front	11 1/2	11 1/8	3/4
	Top Drawer Box	8	3 3/8	20 3/8
	Bottom Drawer Box	8	8 1/4	20 3/8
3DB15	Cabinet Dimensions	15	34 1/2	24
	Top Drawer Front	14 1/2	6 1/4	3/4
	Bot/Mid Drawer Front	14 1/2	11 1/8	3/4
	Top Drawer Box	11	3 3/8	20 3/8
	Bottom Drawer Box	11	8 1/4	20 3/8
3DB18	Cabinet Dimensions	18	34 1/2	24
	Top Drawer Front	17 1/2	6 1/4	3/4
	Bot/Mid Drawer Front	17 1/2	11 1/8	3/4
	Top Drawer Box	14	3 3/8	20 3/8
	Bottom Drawer Box	14	8 1/4	20 3/8



Base Cabinets

Three Drawer Bases (Continued)

Model	Description	Width	Height	Depth
3DB21	Cabinet Dimensions	21	34½	24
	Top Drawer Front	20½	6¼	¾
	Bot/Mid Drawer Front	20½	11⅛	¾
	Top Drawer Box	17½	3¾	20¾
	Bottom Drawer Box	17½	8¼	20¾
3DB24	Cabinet Dimensions	24	34½	24
	Top Drawer Front	23½	6¼	¾
	Bot/Mid Drawer Front	23½	11⅛	¾
	Top Drawer Box	20	3¾	20¾
	Bottom Drawer Box	20	8¼	20¾
3DB27	Cabinet Dimensions	27	34½	24
	Top Drawer Front	26½	6¼	¾
	Bot/Mid Drawer Front	26½	11⅛	¾
	Top Drawer Box	23	3¾	20¾
	Bottom Drawer Box	23	8¼	20¾
3DB30	Cabinet Dimensions	30	34½	24
	Top Drawer Front	29½	6¼	¾
	Bot/Mid Drawer Front	29½	11⅛	¾
	Top Drawer Box	26	3¾	20¾
	Bottom Drawer Box	26	8¼	20¾
3DB33	Cabinet Dimensions	33	34½	24
	Top Drawer Front	32½	6¼	¾
	Bot/Mid Drawer Front	32½	11⅛	¾
	Top Drawer Box	29	3¾	20¾
	Bottom Drawer Box	29	8¼	20¾
3DB36	Cabinet Dimensions	36	34½	24
	Top Drawer Front	35½	6¼	¾
	Bot/Mid Drawer Front	35½	11⅛	¾
	Top Drawer Box	32	3¾	20¾
	Bottom Drawer Box	32	8¼	20¾

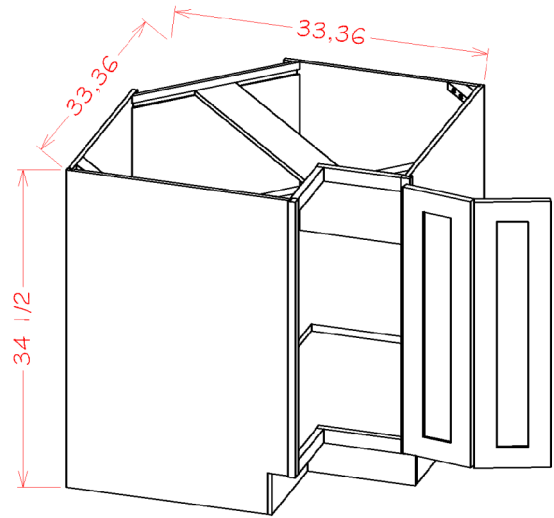


Base Cabinets

Base Easy Reach

Model	Description	Width	Height	Depth
BER33	Cabinet Dimensions	33	34½	24
	Door Dimensions	7⅞	29	¾
	Center Back Panel	18½	34½	½
	Side Back Panels	20½	34½	½
BER36	Cabinet Dimensions	36	34½	24
	Door Dimensions	10⅝	29	¾
	Center Back Panel	18½	34½	½
	Side Back Panels	23½	34½	½

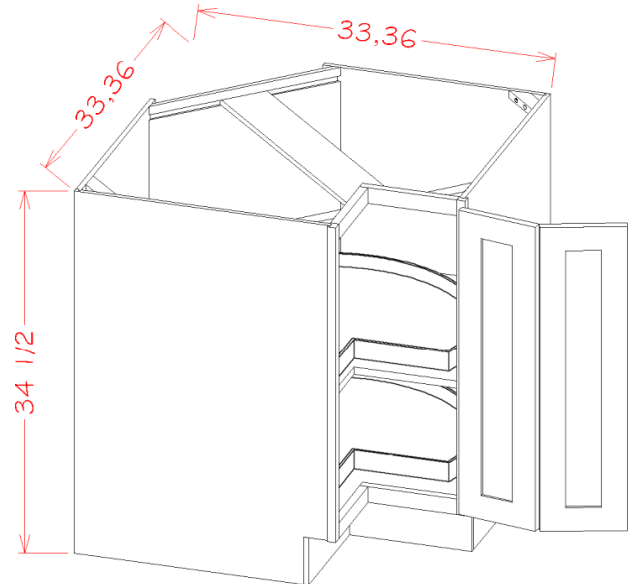
- BER33 inside opening is 11½"W
- BER36 inside opening is 15½"W



Base Easy Reach with Lazy Susan Trays

Model	Description	Width	Height	Depth
LSB33	Cabinet Dimension	33	34½	24
	Door Dimension	7⅞	29	¾
	Center Back Panel	18½	34½	½
	Side Back Panels	20½	34½	½
	Lazy Susan Tray	27½	-	-
LSB36	Cabinet Dimensions	36	34½	24
	Door Dimensions	10⅝	29	¾
	Center Back Panel	18½	34½	½
	Side Back Panels	23½	34½	½
	Lazy Susan Tray	27½	-	-

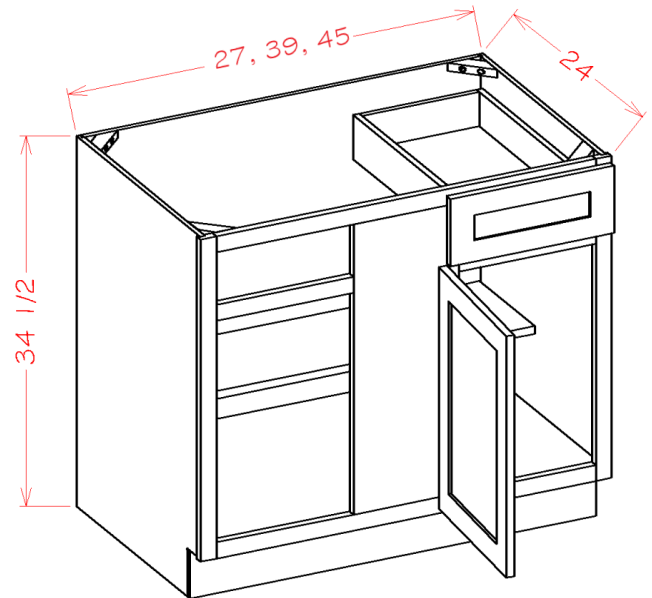
- LSB33 inside opening is 11½"W
- LSB36 inside opening is 15½"W
- Two boxes will be received when ordering this cabinet kit flat pack



Base Cabinets

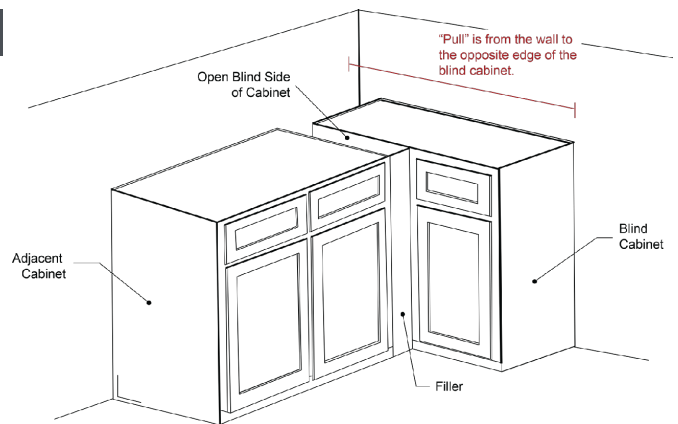
Blind Bases

Model	Description	Width	Height	Depth
BBC36	Door Opening	6 $\frac{3}{4}$	20 $\frac{1}{2}$	22 $\frac{3}{4}$
	Cabinet Dimensions	27	34 $\frac{1}{2}$	24
	Door Dimensions	9 $\frac{3}{4}$	22 $\frac{1}{2}$	$\frac{3}{4}$
	Drawer Front	9 $\frac{3}{4}$	61 $\frac{1}{4}$	$\frac{3}{4}$
	Drawer Box	6 $\frac{1}{2}$	3 $\frac{3}{8}$	20 $\frac{3}{8}$
BBC42	Door Opening	12 $\frac{3}{4}$	20 $\frac{1}{2}$	22 $\frac{3}{4}$
	Cabinet Dimensions	39	34 $\frac{1}{2}$	24
	Door Dimensions	15 $\frac{3}{4}$	22 $\frac{1}{2}$	$\frac{3}{4}$
	Drawer Front	15 $\frac{3}{4}$	61 $\frac{1}{4}$	$\frac{3}{4}$
	Drawer Box	12 $\frac{3}{8}$	3 $\frac{3}{8}$	20 $\frac{3}{8}$
BBC45	Door Opening	15 $\frac{3}{4}$	20 $\frac{1}{2}$	22 $\frac{3}{4}$
	Cabinet Dimensions	45	34 $\frac{1}{2}$	24
	Door Dimensions	18 $\frac{3}{4}$	22 $\frac{1}{2}$	$\frac{3}{4}$
	Drawer Front	18 $\frac{3}{4}$	61 $\frac{1}{4}$	$\frac{3}{4}$
	Drawer Box	15 $\frac{1}{3}$	3 $\frac{3}{8}$	20 $\frac{3}{8}$



Model	Box Size	Min	Max	Stile
BBC39	27	36	42 $\frac{1}{2}$	10
BBC42	39	41 $\frac{3}{4}$	48 $\frac{1}{2}$	10
BBC45	45	45	51 $\frac{1}{2}$	10

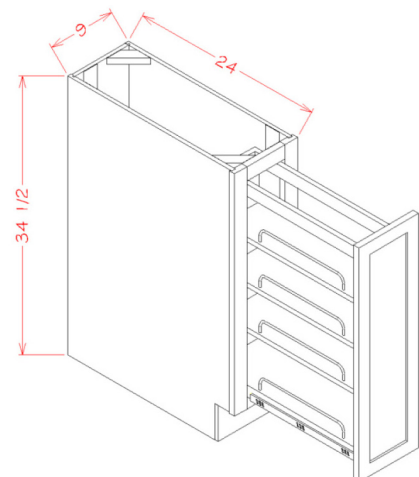
- Must Use Filler (not supplied)



Accessory Base Cabinets - Full Height Door Base Kit with Shelf Pullout

Model	Description	Width	Height	Depth
BT9PO	Cabinet Dimensions	9	34 $\frac{1}{2}$	24
	Door Dimensions	8 $\frac{1}{2}$	29	$\frac{3}{4}$
	Pullout Dimensions	6	25 $\frac{1}{2}$	22 $\frac{3}{4}$

- Pullout is mounted to the cabinet floor and door
- Full-extension slides with BLUMOTION soft-close (110 lb weight capacity)
- Two boxes will be received when ordering this cabinet kit flat pack

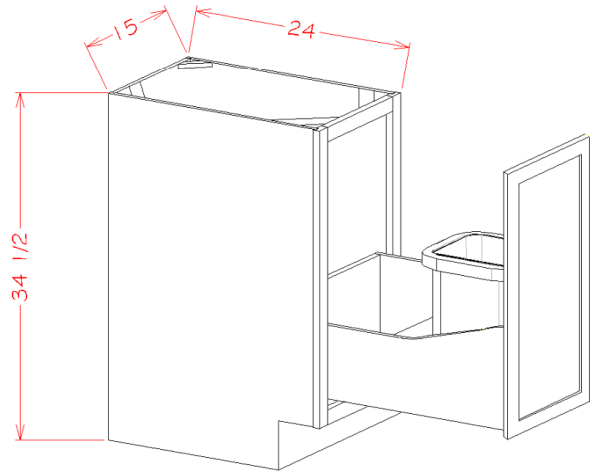


Base Cabinets

Accessory Base Cabinets - Full Height Door Base Kit with Single Trash Can

Model	Description	Width	Height	Depth
B15FHTCPO	Cabinet Dimensions	15	34½	24
	Door Dimensions	14½	29	¾
	Pullout Dimensions	12	19½	21 ²¹ / ₃₂
	Trashcan Dimensions	14 ³ / ₁₆	17 ⁷ / ₈	10½

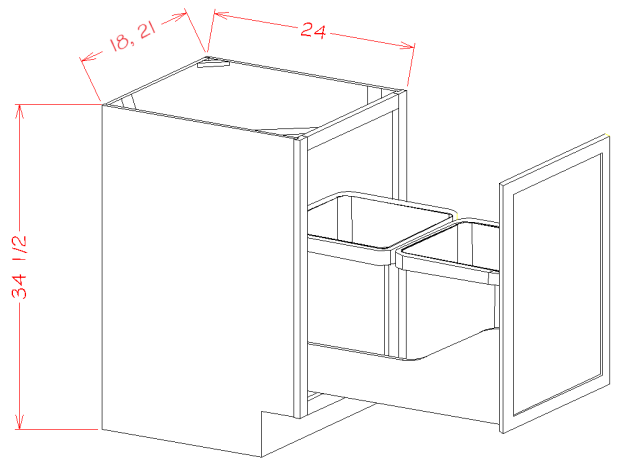
- Pullout is mounted to the cabinet floor and door
- Full-extension slides with BLUMOTION soft-close (110 lb weight capacity)
- Single 35qt trash can
- Three boxes will be received when ordering this cabinet kit flat pack



Accessory Base Cabinets - Full Height Door Base Kit with Double Trash Can Pullout

Model	Description	Width	Height	Depth
B18FHTCPO	Cabinet Dimensions	18	34½	24
	Door Dimensions	17½	29	¾
	Pullout Dimensions	15	20 ³ / ₈	21 ²¹ / ₃₂
	Trashcan Dimensions	14 ³ / ₁₆	17 ⁷ / ₈	10½
B21FHTCPO	Cabinet Dimensions	21	34½	24
	Door Dimensions	20½	29	¾
	Pullout Dimensions	18	20 ³ / ₈	21 ²¹ / ₃₂
	Trashcan Dimensions	14 ³ / ₁₆	17 ⁷ / ₈	10½

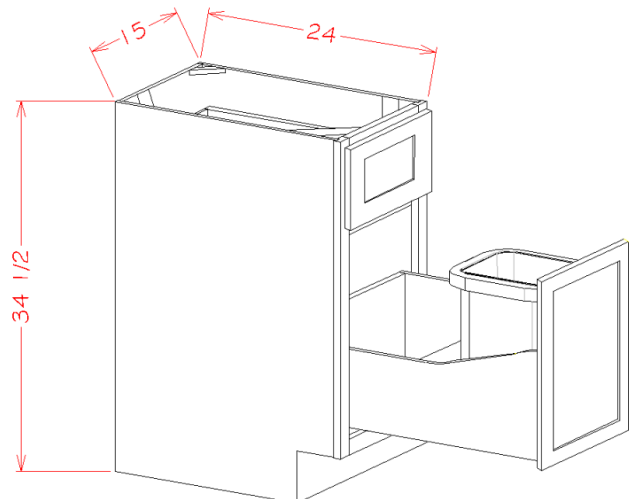
- Pullout is mounted to the cabinet floor and door
- Full-extension slides with BLUMOTION soft-close (110 lb weight capacity)
- Double 35qt trash can
- Three boxes will be received when ordering this cabinet kit flat pack



Accessory Base Cabinets - Single Door Single Drawer Base Kit with Single Trash Can Pullout

Model	Description	Width	Height	Depth
B15TCPO	Cabinet Dimensions	15	34½	24
	Door Dimensions	14½	22½	¾
	Drawer Front	14½	6¼	¾
	Drawer Box	11	3¼	20 ³ / ₈
	Pullout Dimensions	12	19½	21 ²¹ / ₃₂
	Trashcan Dimensions	14 ³ / ₁₆	17 ⁷ / ₈	10½

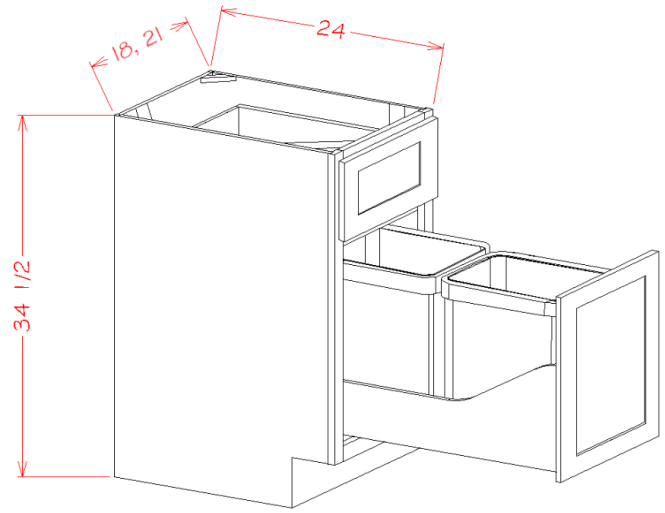
- Pullout is mounted to the cabinet floor and door
- Full-extension slides with BLUMOTION soft-close (110 lb weight capacity)
- Single 35qt trash can
- Two boxes will be received when ordering this cabinet kit flat pack



Base Cabinets

Accessory Base Cabinets - Single Door Single Drawer Base Kit with Double Trash Can Pullout

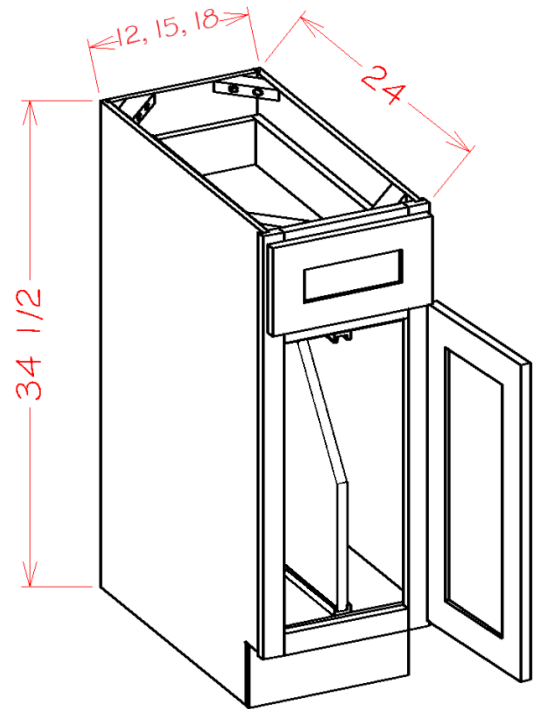
Model	Description	Width	Height	Depth
B18TCPO	Cabinet Dimensions	18	34½	24
	Door Dimensions	17½	22½	¾
	Drawer Front	17½	6¼	¾
	Drawer Box	14	3¼	20⅝
	Pullout Dimensions	15	20⅝	21 ² / ₃₂
	Trashcan Dimensions	14 ³ / ₁₆	17 ⁷ / ₈	10½
B21TCPO	Cabinet Dimensions	21	34½	24
	Door Dimensions	20½	22½	¾
	Drawer Front	20½	6¼	¾
	Drawer Box	17	3¼	20⅝
	Pullout Dimensions	18	20⅝	21 ² / ₃₂
	Trashcan Dimensions	14 ³ / ₁₆	17 ⁷ / ₈	10½



- Pullout is mounted to the cabinet floor and door.
- Full-extension slides with BLUMOTION soft-close (110 lb weight capacity)
- Double 35qt trash can
- Two boxes will be received when ordering this cabinet kit flat pack

Accessory Base Cabinets - Tray Divider Base Kit

Model	Description	Width	Height	Depth
B12TD	Cabinet Dimensions	12	34½	24
	Door Dimensions	11½	22½	¾
	Drawer Front	11½	6¼	¾
	Drawer Box	8	3¼	20⅝
	Tray Divider	¾	21	22½
B15TD	Cabinet Dimensions	15	34½	24
	Door Dimensions	14½	22½	¾
	Drawer Front	14½	6¼	¾
	Drawer Box	11	3¼	20⅝
	Tray Divider	¾	21	22½
B18TD	Cabinet Dimensions	18	34½	24
	Door Dimensions	17½	22½	¾
	Drawer Front	17½	6¼	¾
	Drawer Box	14	3¼	20⅝
	Tray Divider	¾	21	22½



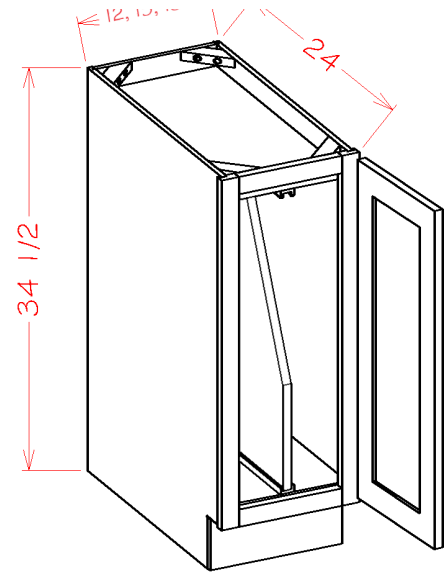
- B18TD Includes Two Dividers
- Two boxes will be received when ordering this cabinet kit flat pack

Base Cabinets

Accessory Base Cabinets - Full Height Tray Divider Base Kit

Model	Description	Width	Height	Depth
B12FHTD	Cabinet Dimensions	12	34½	24
	Door Dimensions	11½	29	¾
	Tray Divider	¾	27	22½
B15FHTD	Cabinet Dimensions	15	34½	24
	Door Dimensions	14½	29	¾
	Tray Divider	¾	27	22½
B18FHTD	Cabinet Dimensions	18	34½	24
	Door Dimensions	17½	29	¾
	Tray Divider	¾	27	22½

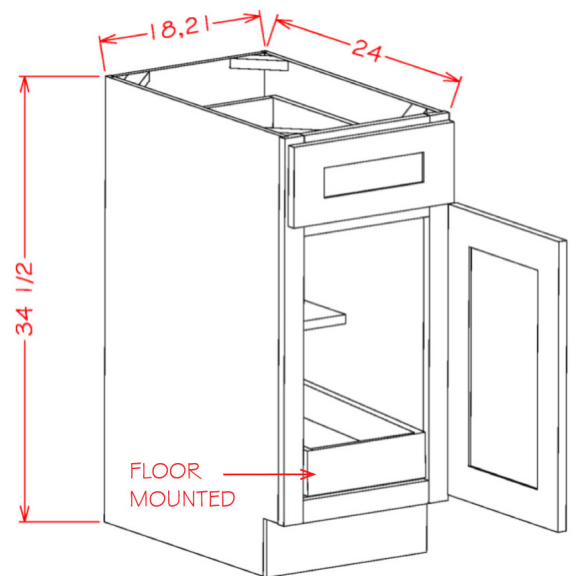
- B18FHTD Includes Two Dividers
- Three boxes will be received when ordering this cabinet kit flat pack



Accessory Base Cabinets - Single Door Single Drawer One Rollout Shelf Base Kit

Model	Description	Width	Height	Depth
B181RS	Cabinet Dimensions	18	34½	24
	Door Dimensions	17½	22½	¾
	Drawer Front	17½	6¼	¾
	Drawer Box	14	3¼	20¾
	Rollout Shelf	13¾	3¾	20⅙
B211RS	Cabinet Dimensions	21	34½	24
	Door Dimensions	20½	22½	¾
	Drawer Front	20½	6¼	¾
	Drawer Box	17	3¼	20¾
	Rollout Shelf	16¾	3¾	20⅙

- Assembled cabinets with Rollout Shelf kits are ONLY installed as indicated in the line drawing
- Two boxes will be received when ordering this cabinet kit flat pack
- Rollout Shelf glides are side mounted ball bearing with no soft close
- Rollout Shelf Recommended Max Weight: 35lbs

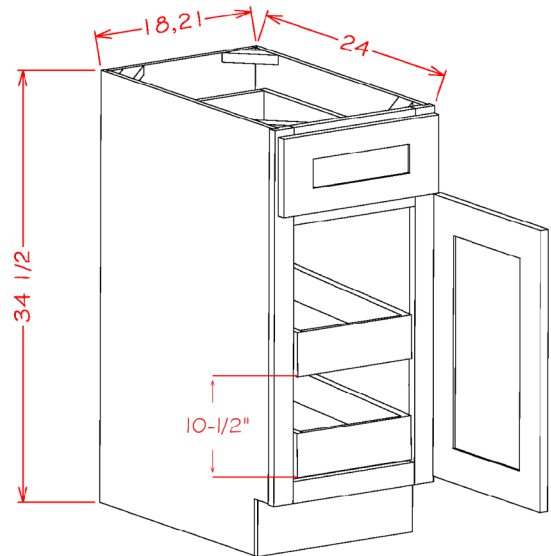


Base Cabinets

Accessory Base Cabinets - Single Door Single Drawer Two Rollout Shelf Base Kit

Model	Description	Width	Height	Depth
B182RS	Cabinet Dimensions	18	34½	24
	Door Dimensions	17½	22½	¾
	Drawer Front	17½	6¼	¾
	Drawer Box	14	3¼	20⅜
	Rollout Shelf	13⅜	3⅜	20⅞
B212RS	Cabinet Dimensions	21	34½	24
	Door Dimensions	20½	22½	¾
	Drawer Front	20½	6¼	¾
	Drawer Box	17	3¼	20⅜
	Rollout Shelf	16⅜	3⅜	20⅞

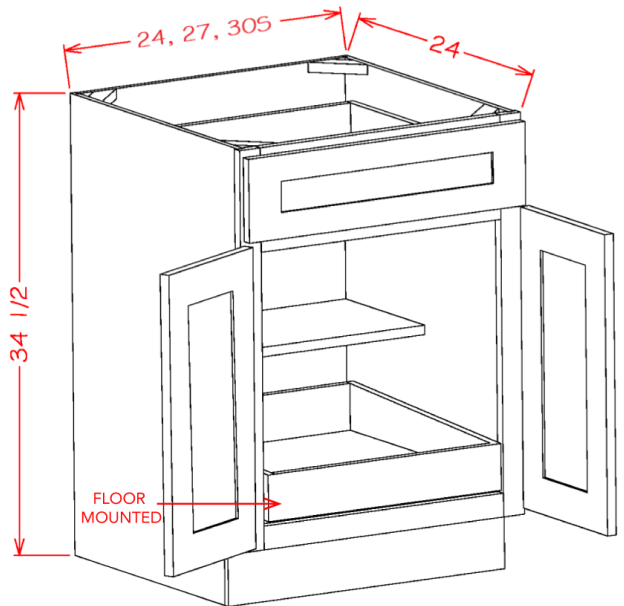
- Assembled cabinets with Rollout Shelf kits are ONLY installed as indicated in the line drawing
- Three boxes will be received when ordering this cabinet kit flat pack
- Rollout Shelf glides are side mounted ball bearing with no soft close
- Rollout Shelf Recommended Max Weight: 35lbs



Accessory Base Cabinets - Double Door Single Drawer One Rollout Shelf Base Kit

Model	Description	Width	Height	Depth
B241RS	Cabinet Dimensions	24	34½	24
	Door Dimensions	11¾	22½	¾
	Drawer Front	23½	6¼	¾
	Drawer Box	20	3¼	20⅜
	Rollout Shelf	19½	3⅜	20⅞
B271RS	Cabinet Dimensions	27	34½	24
	Door Dimensions	13¼	22½	¾
	Drawer Front	26½	6¼	¾
	Drawer Box	23	3¼	20⅜
	Rollout Shelf	22½	3⅜	20⅞
B30S1RS	Cabinet Dimensions	30	34½	24
	Door Dimensions	14¾	22½	¾
	Drawer Front	29½	6¼	¾
	Drawer Box	26	3¼	20⅜
	Rollout Shelf	25⅜	3⅜	20⅞

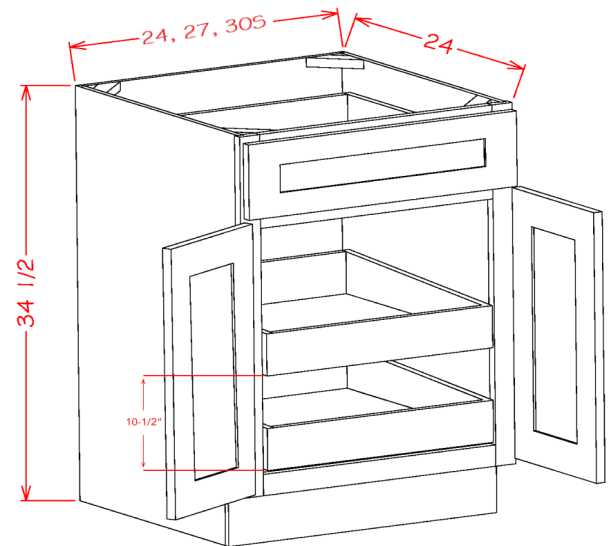
- Assembled cabinets with Rollout Shelf kits are ONLY installed as indicated in the line drawing
- Two boxes will be received when ordering this cabinet kit flat pack
- Rollout Shelf glides are side mounted ball bearing with no soft close
- Rollout Shelf Recommended Max Weight: 35lbs



Base Cabinets

Accessory Base Cabinets - Double Door Single Drawer Two Rollout Shelf Base Kit

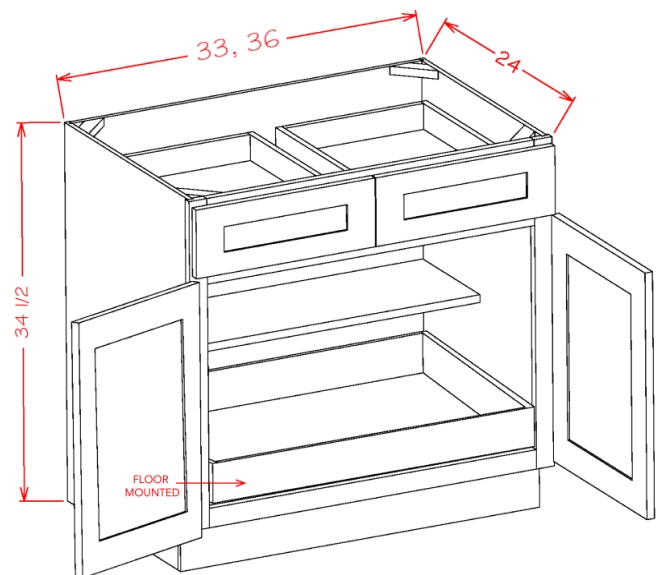
Model	Description	Width	Height	Depth
B242RS	Cabinet Dimensions	24	34½	24
	Door Dimensions	11¾	22½	¾
	Drawer Front	23½	6¼	¾
	Drawer Box	20	3¼	20⅜
	Rollout Shelf	19½	3⅜	20⅙
B272RS	Cabinet Dimensions	27	34½	24
	Door Dimensions	13¾	22½	¾
	Drawer Front	26½	6¼	¾
	Drawer Box	23	3¼	20⅜
	Rollout Shelf	22½	3⅜	20⅙
B30S2RS	Cabinet Dimensions	30	34½	24
	Door Dimensions	14¾	22½	¾
	Drawer Front	29½	6¼	¾
	Drawer Box	26	3¼	20⅜
	Rollout Shelf	25⅜	3⅜	20⅙



- Assembled cabinets with Rollout Shelf kits are ONLY installed as indicated in the line drawing
- Three boxes will be received when ordering this cabinet kit flat pack
- Rollout Shelf glides are side mounted ball bearing with no soft close
- Rollout Shelf Recommended Max Weight: 35lbs

Accessory Base Cabinets - Double Door Double Drawer One Rollout Shelf Base Kit

Model	Description	Width	Height	Depth
B331RS	Cabinet Dimensions	33	34½	24
	Door Dimensions	16¼	22½	¾
	Drawer Front	16¼	6¼	¾
	Drawer Box	13½	3¼	20⅜
	Rollout Shelf	28⅜	3⅜	20⅙
B361RS	Cabinet Dimensions	36	34½	24
	Door Dimensions	17¾	22½	¾
	Drawer Front	17¾	6¼	¾
	Drawer Box	15	3¼	20⅜
	Rollout Shelf	31⅜	3⅜	20⅙



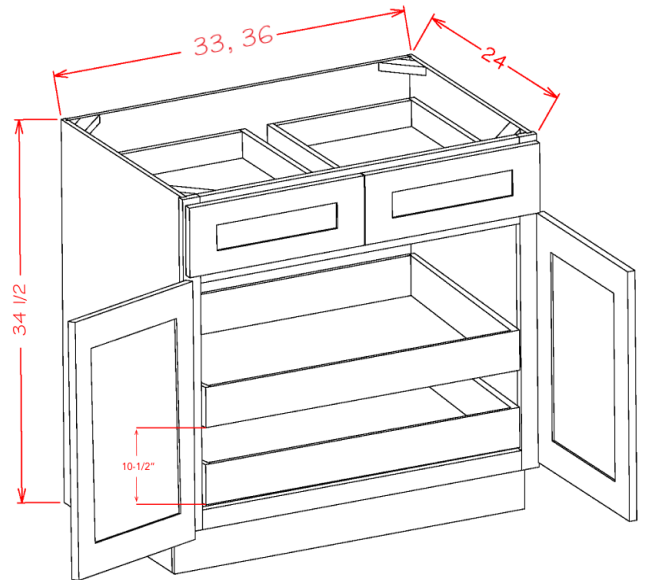
- Assembled cabinets with Rollout Shelf kits are ONLY installed as indicated in the line drawing
- Two boxes will be received when ordering this cabinet kit flat pack
- Rollout Shelf glides are side mounted ball bearing with no soft close
- Rollout Shelf Recommended Max Weight: 35lbs

Base Cabinets

Accessory Base Cabinets - Double Door Double Drawer Two Rollout Shelf Base Kit

Model	Description	Width	Height	Depth
B332RS	Cabinet Dimensions	33	34½	24
	Door Dimensions	16¼	22½	¾
	Drawer Front	16¼	6¼	¾
	Drawer Box	13½	3¼	20⅜
	Rollout Shelf	28⅜	3⅜	20⅞
B362RS	Cabinet Dimensions	36	34½	24
	Door Dimensions	17¾	22½	¾
	Drawer Front	17¾	6¼	¾
	Drawer Box	15	3¼	20⅜
	Rollout Shelf	31⅜	3⅜	20⅞

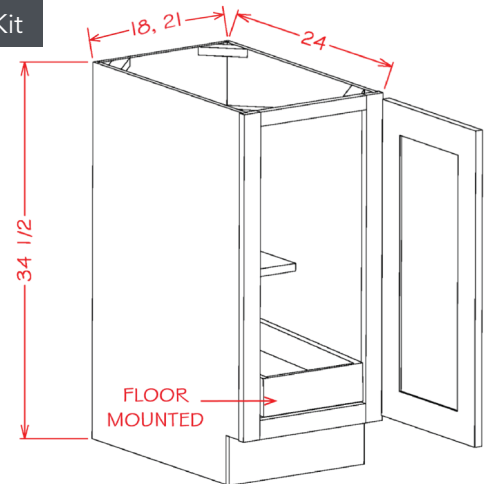
- Assembled cabinets with Rollout Shelf kits are ONLY installed as indicated in the line drawing
- Three boxes will be received when ordering this cabinet kit flat pack
- Rollout Shelf glides are side mounted ball bearing with no soft close
- Rollout Shelf Recommended Max Weight: 35lbs



Accessory Base Cabinets - Single Full Height Door One Rollout Shelf Base Kit

Model	Description	Width	Height	Depth
B18FH1RS	Cabinet Dimensions	18	34½	24
	Door Dimensions	17½	29	¾
	Rollout Shelf	13⅜	3⅜	20⅞
B21FH1RS	Cabinet Dimensions	21	34½	24
	Door Dimensions	20½	29	¾
	Rollout Shelf	16⅜	3⅜	20⅞

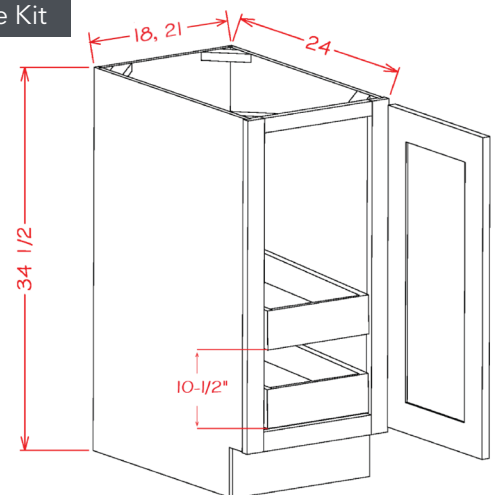
- Assembled cabinets with Rollout Shelf kits are ONLY installed as indicated in the line drawing
- Three boxes will be received when ordering this cabinet kit flat pack
- Rollout Shelf glides are side mounted ball bearing with no soft close
- Rollout Shelf Recommended Max Weight: 35lbs



Accessory Base Cabinets - Single Full Height Door Two Rollout Shelf Base Kit

Model	Description	Width	Height	Depth
B18FH2RS	Cabinet Dimensions	18	34½	24
	Door Dimensions	17½	29	¾
	Rollout Shelf	13⅜	3⅜	20⅞
B21FH2RS	Cabinet Dimensions	21	34½	24
	Door Dimensions	20½	29	¾
	Rollout Shelf	16⅜	3⅜	20⅞

- Assembled cabinets with Rollout Shelf kits are ONLY installed as indicated in the line drawing
- Four boxes will be received when ordering this cabinet kit flat pack
- Rollout Shelf glides are side mounted ball bearing with no soft close
- Rollout Shelf Recommended Max Weight: 35lbs

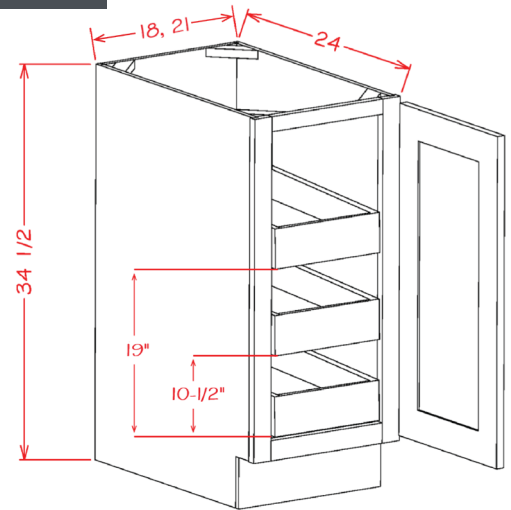


Base Cabinets

Accessory Base Cabinets - Single Full Height Door Three Rollout Shelf Base Kit

Model	Description	Width	Height	Depth
B18FH3RS	Cabinet Dimensions	18	34½	24
	Door Dimensions	17½	29	¾
	Rollout Shelf	13¾	3¾	20⅞
B21FH3RS	Cabinet Dimensions	21	34½	24
	Door Dimensions	20½	29	¾
	Rollout Shelf	16¾	3¾	20⅞

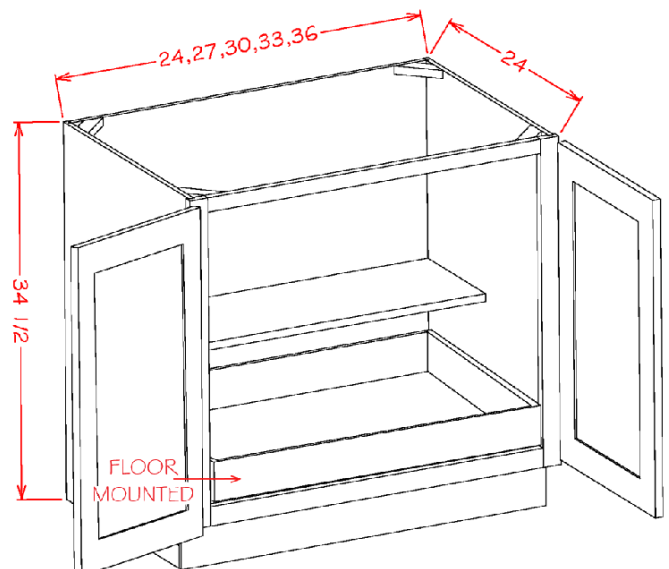
- Assembled cabinets with Rollout Shelf kits are ONLY installed as indicated in the line drawing
- Five boxes will be received when ordering this cabinet kit flat pack
- Rollout Shelf glides are side mounted ball bearing with no soft close
- Rollout Shelf Recommended Max Weight: 35lbs



Accessory Base Cabinets - Double Full Height Door One Rollout Shelf Base Kit

Model	Description	Width	Height	Depth
B24FH1RS	Cabinet Dimensions	24	34½	24
	Door Dimensions	11¾	29	¾
	Rollout Shelf	19½	3¾	20⅞
B27FH1RS	Cabinet Dimensions	27	34½	24
	Door Dimensions	13¼	29	¾
	Rollout Shelf	22½	3¾	20⅞
B30FH1RS	Cabinet Dimensions	30	34½	24
	Door Dimensions	14¾	29	¾
	Rollout Shelf	25¾	3¾	20⅞
B33FH1RS	Cabinet Dimensions	33	34½	24
	Door Dimensions	16¼	29	¾
	Rollout Shelf	28¾	3¾	20⅞
B36FH1RS	Cabinet Dimensions	36	34½	24
	Door Dimensions	17¾	29	¾
	Rollout Shelf	31¾	3¾	20⅞

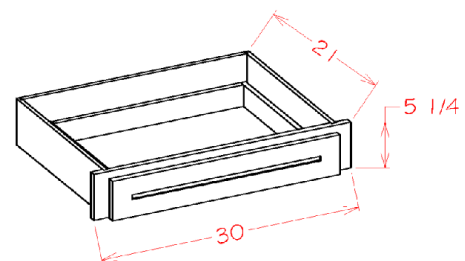
- Assembled cabinets with Rollout Shelf kits are ONLY installed as indicated in the line drawing
- Three boxes will be received when ordering this cabinet kit flat pack
- Rollout Shelf glides are side mounted ball bearing with no soft close
- Rollout Shelf Recommended Max Weight: 35lbs



Specialty Bases - Desk Knee Drawer

Model	Description	Width	Height	Depth
DKD30	Cabinet Dimensions	30	5¼	21
	Drawer Front	27	4½	¾
	Drawer Box	23	3¼	17¾

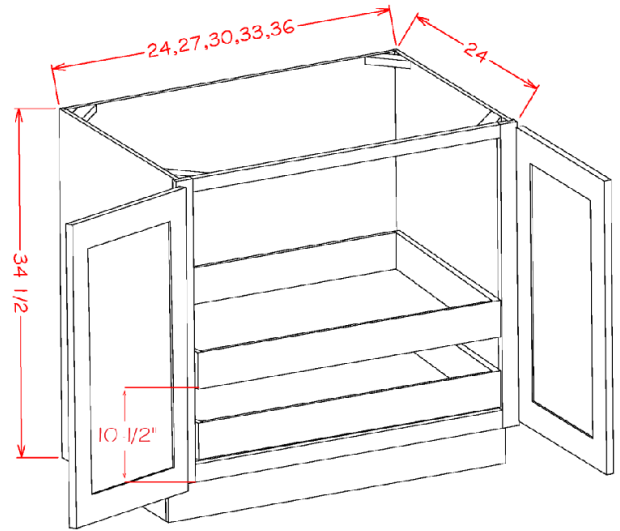
- Trimmable to 28"W
- Glides are side mount ball bearing with no soft close



Base Cabinets

Accessory Base Cabinets - Double Full Height Door Two Rollout Shelf Base Kit

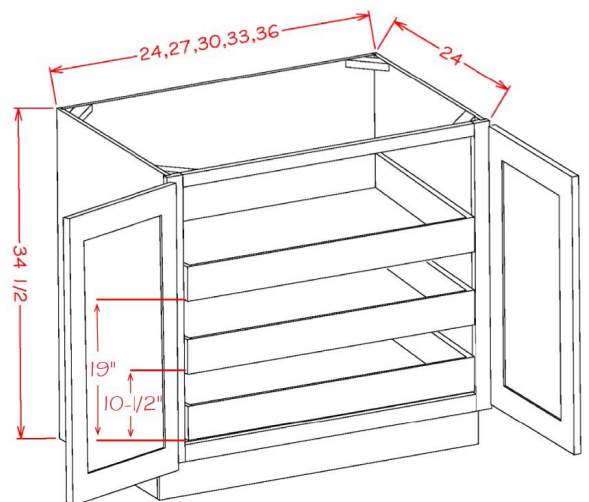
Model	Description	Width	Height	Depth
B24FH2RS	Cabinet Dimensions	24	34½	24
	Door Dimensions	11¾	29	¾
	Rollout Shelf	19½	3⅜	20⅙
B27FH2RS	Cabinet Dimensions	27	34½	24
	Door Dimensions	13¾	29	¾
	Rollout Shelf	22½	3⅜	20⅙
B30FH2RS	Cabinet Dimensions	30	34½	24
	Door Dimensions	14¾	29	¾
	Rollout Shelf	25⅜	3⅜	20⅙
B33FH2RS	Cabinet Dimensions	33	34½	24
	Door Dimensions	16¼	29	¾
	Rollout Shelf	28⅜	3⅜	20⅙
B36FH2RS	Cabinet Dimensions	36	34½	24
	Door Dimensions	17¾	29	¾
	Rollout Shelf	31⅜	3⅜	20⅙



- Assembled cabinets with Rollout Shelf kits are ONLY installed as indicated in the line drawing
- Four boxes will be received when ordering this cabinet kit flat pack
- Rollout Shelf glides are side mounted ball bearing with no soft close
- Rollout Shelf Recommended Max Weight: 35lbs

Accessory Base Cabinets - Double Full Height Door Three Rollout Shelf Base Kit

Model	Description	Width	Height	Depth
B24FH3RS	Cabinet Dimensions	24	34½	24
	Door Dimensions	11¾	29	¾
	Rollout Shelf	19½	3⅜	20⅙
B27FH3RS	Cabinet Dimensions	27	34½	24
	Door Dimensions	13¾	29	¾
	Rollout Shelf	22½	3⅜	20⅙
B30FH3RS	Cabinet Dimensions	30	34½	24
	Door Dimensions	14¾	29	¾
	Rollout Shelf	25⅜	3⅜	20⅙
B33FH3RS	Cabinet Dimensions	33	34½	24
	Door Dimensions	16¼	29	¾
	Rollout Shelf	28⅜	3⅜	20⅙
B36FH3RS	Cabinet Dimensions	36	34½	24
	Door Dimensions	17¾	29	¾
	Rollout Shelf	31⅜	3⅜	20⅙

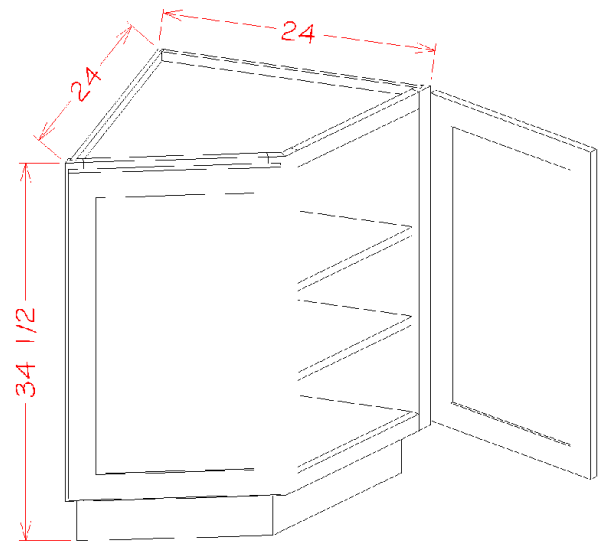


- Assembled cabinets with Rollout Shelf kits are ONLY installed as indicated in the line drawing
- Five boxes will be received when ordering this cabinet kit flat pack
- Rollout Shelf glides are side mounted ball bearing with no soft close
- Rollout Shelf Recommended Max Weight: 35lbs

Base Cabinets

Specialty Bases - Base End Cabinet

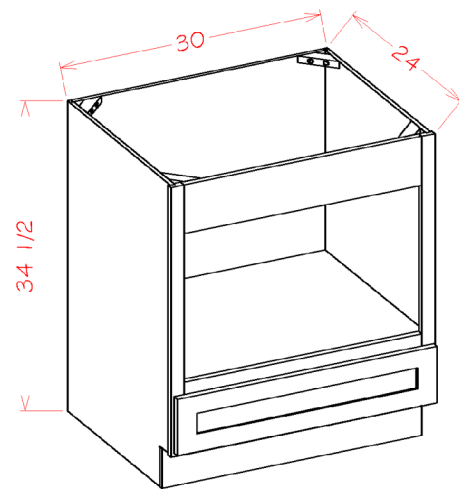
Model	Description	Width	Height	Depth
BEC24	Cabinet Dimensions	30	34½	24
	Door Dimensions	17½	29	¾



Specialty Bases - Base Microwave Cabinet

Model	Description	Width	Height	Depth
BMW30	Cabinet Dimensions	30	34½	24
	Microwave Opening	26½	16½	23
	Drawer Front	29½	6¼	¾
	Drawer Box	26	3⅜	21

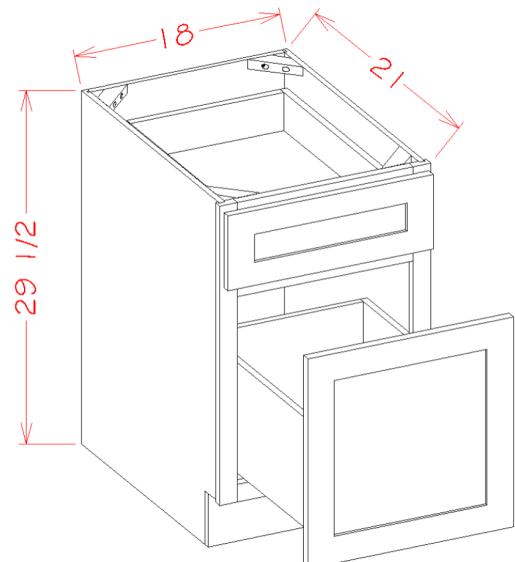
- Microwave opening trimmable to 20⅞" H
- Natural Interior



Specialty Bases - Desk File Base

Model	Description	Width	Height	Depth
DFB18	Cabinet Dimensions	18	29½	21
	Top Drawer Front	17½	6¼	¾
	Bottom Drawer Front	17½	17½	¾
	Top Drawer Box	14	3⅜	17⅞
	Bottom Drawer Box	14	9¼	17⅞

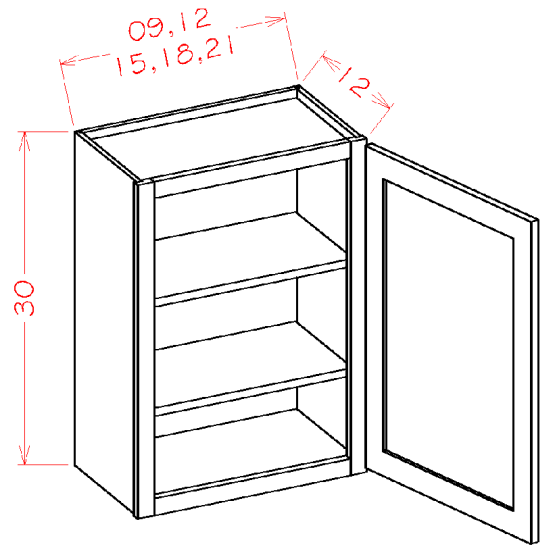
- Does not include file hanging hardware



Wall Cabinets

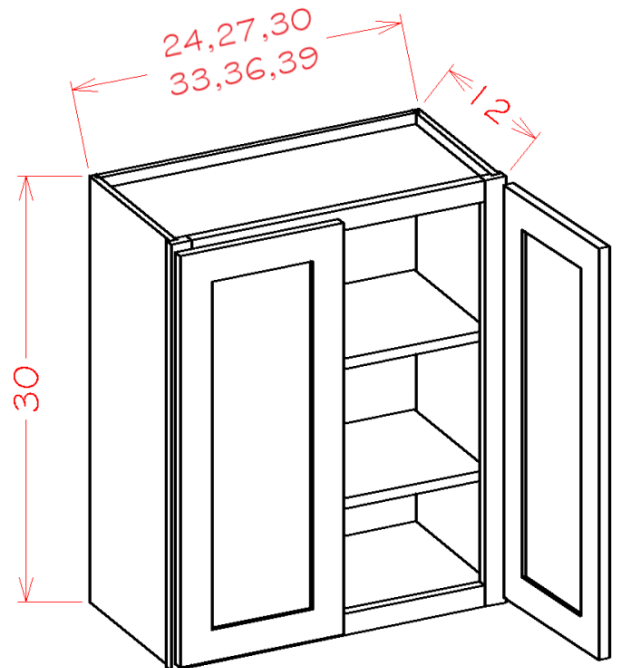
30" High Wall Cabinets - Single Door *2 Adjustable Shelves

Model	Description	Width	Height	Depth
W0930	Cabinet Dimensions	9	30	12
	Door Dimensions	8½	29	¾
W1230	Cabinet Dimensions	12	30	12
	Door Dimensions	11½	29	¾
W1530	Cabinet Dimensions	15	30	12
	Door Dimensions	14½	29	¾
W1830	Cabinet Dimensions	18	30	12
	Door Dimensions	17½	29	¾
W2130	Cabinet Dimensions	21	30	12
	Door Dimensions	20½	29	¾



30" High Wall Cabinets - Double Door *2 Adjustable Shelves

Model	Description	Width	Height	Depth
W2430	Cabinet Dimensions	24	30	12
	Door Dimensions	11¾	29	¾
W2730	Cabinet Dimensions	27	30	12
	Door Dimensions	13¾	29	¾
W3030	Cabinet Dimensions	30	30	12
	Door Dimensions	14¾	29	¾
W3330	Cabinet Dimensions	33	30	12
	Door Dimensions	16¾	29	¾
W3630	Cabinet Dimensions	36	30	12
	Door Dimensions	17¾	29	¾
W3930*	Cabinet Dimensions	39	30	12
	Door Dimensions	19¼	29	¾
W4230*	Cabinet Dimensions	42	30	12
	Door Dimensions	20¾	29	¾



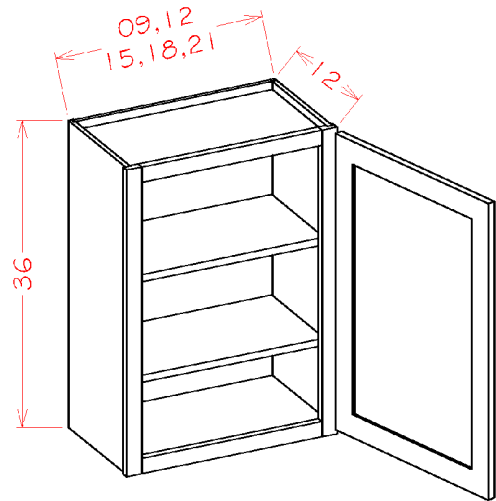
* The W3930 & W4230 is only available in Shaker White (SW)

- W3930 & 4230 include center stile

Wall Cabinets

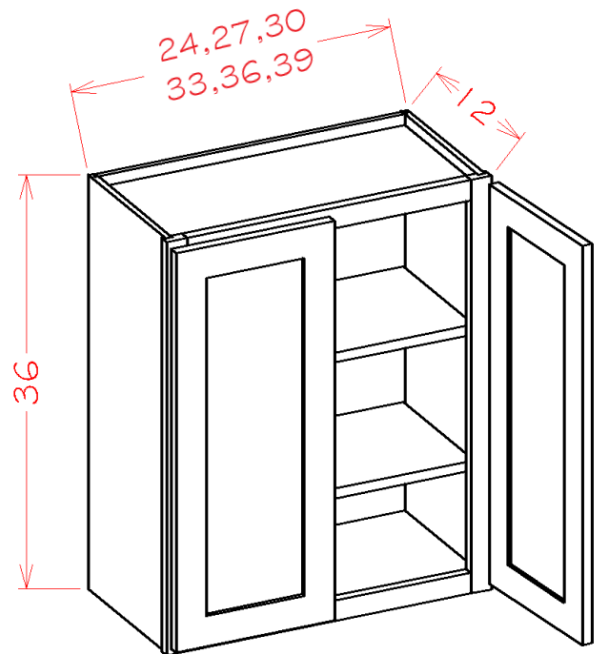
36" High Wall Cabinets - Single Door *2 Adjustable Shelves

Model	Description	Width	Height	Depth
W0936	Cabinet Dimensions	9	36	12
	Door Dimensions	8½	35	¾
W1236	Cabinet Dimensions	12	36	12
	Door Dimensions	11½	35	¾
W1536	Cabinet Dimensions	15	36	12
	Door Dimensions	14½	35	¾
W1836	Cabinet Dimensions	18	36	12
	Door Dimensions	17½	35	¾
W2136	Cabinet Dimensions	21	36	12
	Door Dimensions	20½	35	¾



36" High Wall Cabinets - Double Door *2 Adjustable Shelves

Model	Description	Width	Height	Depth
W2436	Cabinet Dimensions	24	36	12
	Door Dimensions	11¾	35	¾
W2736	Cabinet Dimensions	27	36	12
	Door Dimensions	13¾	35	¾
W3036	Cabinet Dimensions	30	36	12
	Door Dimensions	14¾	35	¾
W3336	Cabinet Dimensions	33	36	12
	Door Dimensions	16¾	35	¾
W3636	Cabinet Dimensions	36	36	12
	Door Dimensions	17¾	35	¾
W3936*	Cabinet Dimensions	39	36	12
	Door Dimensions	19¾	35	¾
W4236*	Cabinet Dimensions	42	36	12
	Door Dimensions	20¾	35	¾



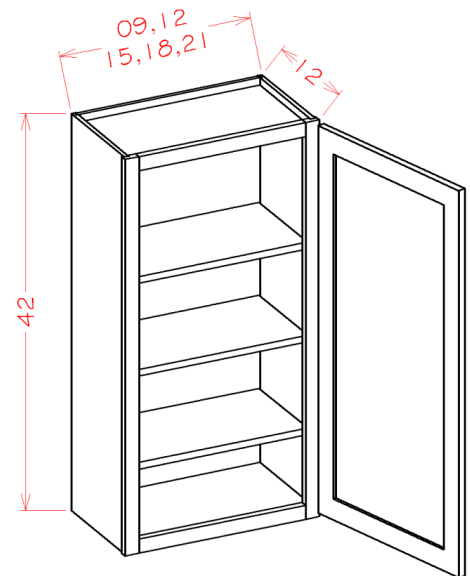
*The W3936 & W4236 is only available in Shaker White (SW)

- W3936 & 4236 include center stile

Wall Cabinets

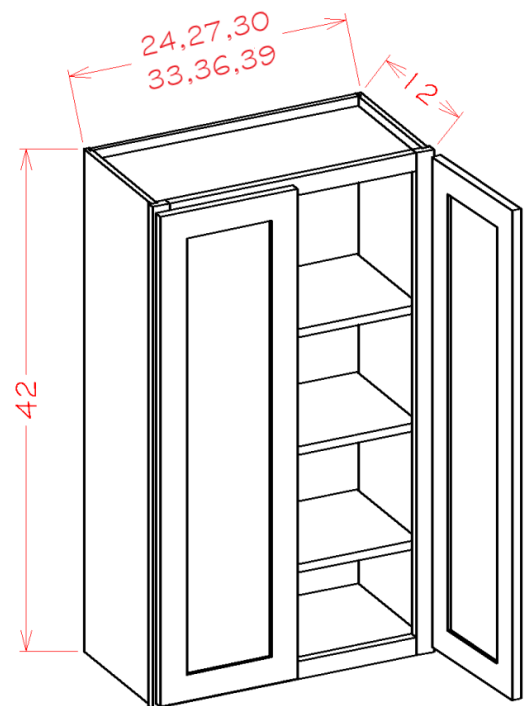
42" High Wall Cabinets - Single Door *3 Adjustable Shelves

Model	Description	Width	Height	Depth
W0942	Cabinet Dimensions	9	42	12
	Door Dimensions	8½	41	¾
W1242	Cabinet Dimensions	12	42	12
	Door Dimensions	11½	41	¾
W1542	Cabinet Dimensions	15	42	12
	Door Dimensions	14½	41	¾
W1842	Cabinet Dimensions	18	42	12
	Door Dimensions	17½	41	¾
W2142	Cabinet Dimensions	21	42	12
	Door Dimensions	20½	41	¾



42" High Wall Cabinets - Double Door *3 Adjustable Shelves

Model	Description	Width	Height	Depth
W2442	Cabinet Dimensions	24	42	12
	Door Dimensions	11¾	41	¾
W2742	Cabinet Dimensions	27	42	12
	Door Dimensions	13¾	41	¾
W3042	Cabinet Dimensions	30	42	12
	Door Dimensions	14¾	41	¾
W3342	Cabinet Dimensions	33	42	12
	Door Dimensions	16¾	41	¾
W3642	Cabinet Dimensions	36	42	12
	Door Dimensions	17¾	41	¾
W3942*	Cabinet Dimensions	39	42	12
	Door Dimensions	19¾	41	¾
W4242*	Cabinet Dimensions	42	42	12
	Door Dimensions	20¾	41	¾



The W3942 & W4242 is only available in Shaker White (SW)

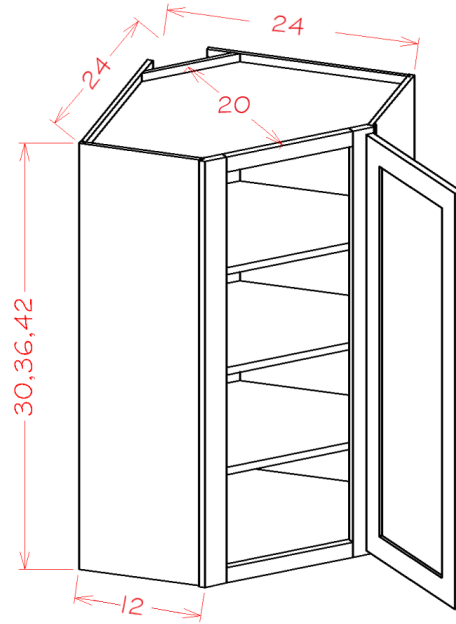
- W3942 & 4242 include center stile

Wall Cabinets

Diagonal Corner Wall Cabinets

Model	Description	Width	Height	Depth
DCW2430	Cabinet Dimensions	24	30	12
	Door Dimensions	15 $\frac{1}{4}$	29	$\frac{3}{4}$
DCW2436	Cabinet Dimensions	24	36	12
	Door Dimensions	15 $\frac{1}{4}$	35	$\frac{3}{4}$
DCW2442	Cabinet Dimensions	24	42	12
	Door Dimensions	15 $\frac{1}{4}$	41	$\frac{3}{4}$

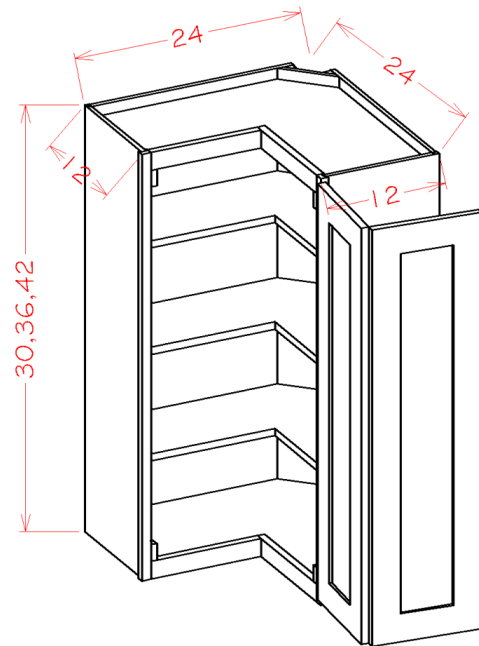
- DCW Inside Opening: 12 $\frac{1}{8}$ "W
- 30" and 36"H cabinets only have two shelves



Wall Easy Reach

Model	Description	Width	Height	Depth
WER2430	Cabinet Dimensions	24	30	12
	Door Dimensions	10 $\frac{5}{8}$	29	$\frac{3}{4}$
WER2436	Cabinet Dimensions	24	36	12
	Door Dimensions	10 $\frac{5}{8}$	35	$\frac{3}{4}$
WER2442	Cabinet Dimensions	24	42	12
	Door Dimensions	10 $\frac{5}{8}$	41	$\frac{3}{4}$

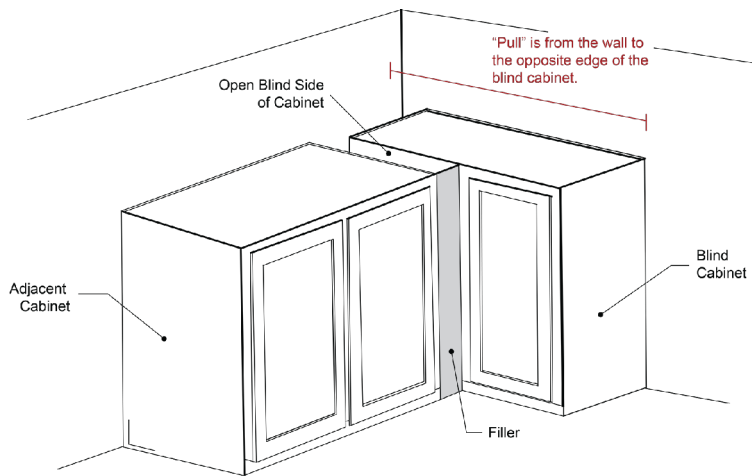
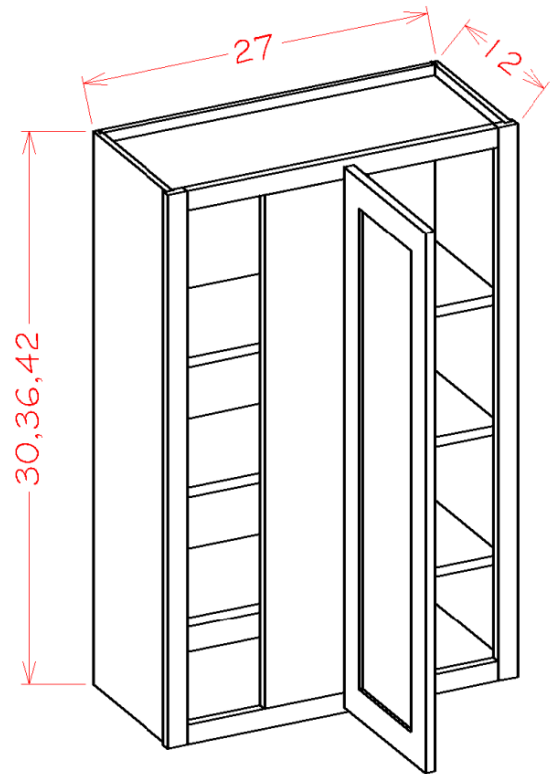
- 30" and 36"H cabinets only have two shelves



Wall Cabinets

Wall Blind Cabinets

Model	Description	Width	Height	Depth
WER2430	Cabinet Dimensions	24	30	12
	Door Dimensions	12½	29	¾
	Door Opening	7¾	26½	12
WER2436	Cabinet Dimensions	24	36	12
	Door Dimensions	12½	35	¾
	Door Openings	7¾	32½	12
WER2442	Cabinet Dimensions	24	42	12
	Door Dimensions	12½	41	¾
	Door Opening	7¾	38½	12

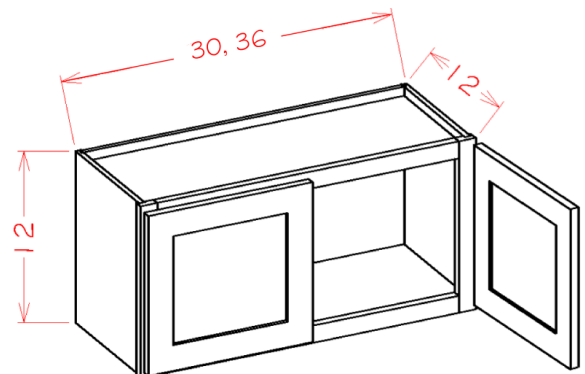


Box Size	Min	Max	Stile
27	28	31	8

- Must Use Filler (not supplied)

Bridge Cabinets - 12" High

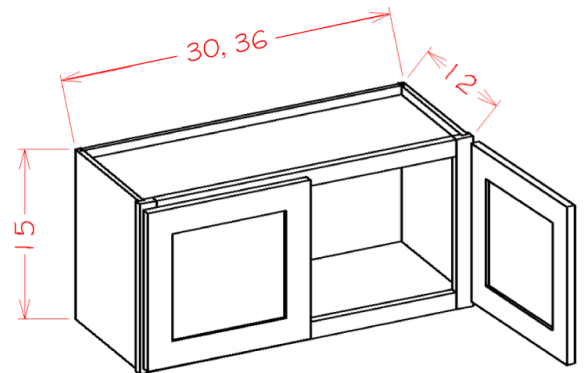
Model	Description	Width	Height	Depth
W3012	Cabinet Dimensions	30	12	12
	Door Dimensions	14¾	11	¾
W3612	Cabinet Dimensions	36	12	12
	Door Dimensions	17¾	11	¾



Wall Cabinets

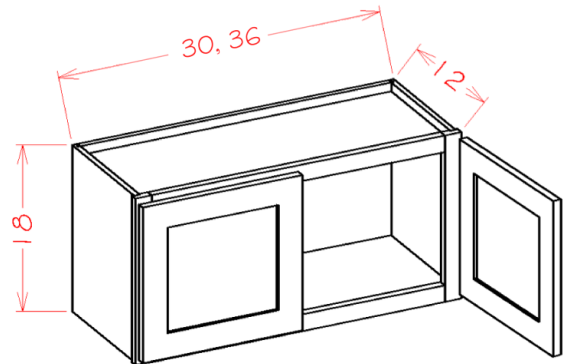
Bridge Cabinets - 15" High

Model	Description	Width	Height	Depth
W3015	Cabinet Dimensions	30	15	12
	Door Dimensions	14 $\frac{3}{4}$	14	$\frac{3}{4}$
W3615	Cabinet Dimensions	36	15	12
	Door Dimensions	17 $\frac{3}{4}$	14	$\frac{3}{4}$



Bridge Cabinets - 18" High

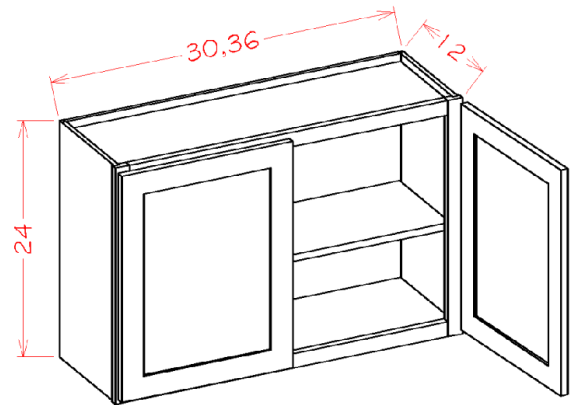
Model	Description	Width	Height	Depth
W3018	Cabinet Dimensions	30	18	12
	Door Dimensions	14 $\frac{3}{4}$	17	$\frac{3}{4}$
W3618	Cabinet Dimensions	36	18	12
	Door Dimensions	17 $\frac{3}{4}$	17	$\frac{3}{4}$



Bridge Cabinets - 24" High

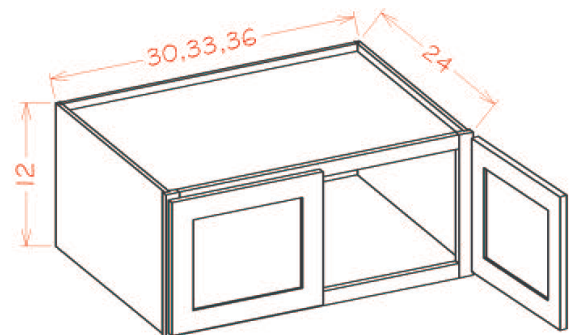
Model	Description	Width	Height	Depth
W3024	Cabinet Dimensions	30	24	12
	Door Dimensions	14 $\frac{3}{4}$	23	$\frac{3}{4}$
W3624	Cabinet Dimensions	36	24	12
	Door Dimensions	17 $\frac{3}{4}$	23	$\frac{3}{4}$

- All 24"H cabinets include one inner shelf



Wall Refrigerator Cabinets - 12" H (24" deep)

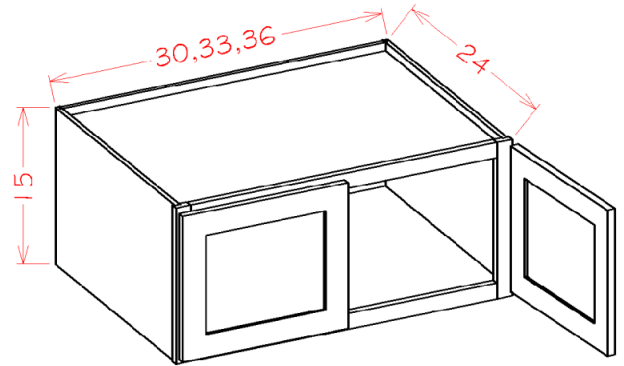
Model	Description	Width	Height	Depth
W301224	Cabinet Dimensions	30	12	24
	Door Dimensions	14 $\frac{3}{4}$	11	$\frac{3}{4}$
W331224	Cabinet Dimensions	33	12	24
	Door Dimensions	16 $\frac{1}{2}$	11	$\frac{3}{4}$
W361224	Cabinet Dimensions	36	12	24
	Door Dimensions	17 $\frac{3}{4}$	11	$\frac{3}{4}$



Wall Cabinets

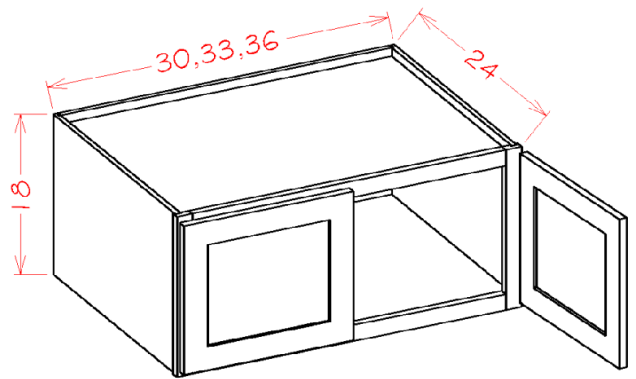
Wall Refrigerator Cabinets - 15" H (24" deep)

Model	Description	Width	Height	Depth
W301524	Cabinet Dimensions	30	15	24
	Door Dimensions	14¾	14	¾
W331524	Cabinet Dimensions	33	15	24
	Door Dimensions	16½	14	¾
W361524	Cabinet Dimensions	36	15	24
	Door Dimensions	17¾	14	¾



Wall Refrigerator Cabinets - 18" H (24" deep)

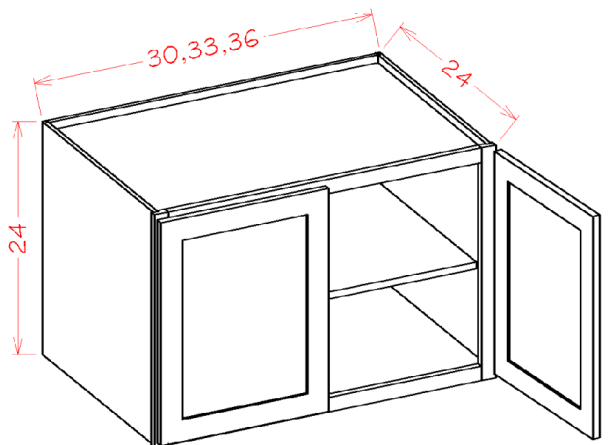
Model	Description	Width	Height	Depth
W301824	Cabinet Dimensions	30	18	24
	Door Dimensions	14¾	17	¾
W331824	Cabinet Dimensions	33	18	24
	Door Dimensions	16½	17	¾
W361824	Cabinet Dimensions	36	18	24
	Door Dimensions	17¾	17	¾



Wall Refrigerator Cabinets - 24" H (24" deep)

Model	Description	Width	Height	Depth
W302424	Cabinet Dimensions	30	24	24
	Door Dimensions	14¾	23	¾
W332424	Cabinet Dimensions	33	24	24
	Door Dimensions	16½	23	¾
W362424	Cabinet Dimensions	36	24	24
	Door Dimensions	17¾	23	¾

- All 24" H cabinets include one inner shelf

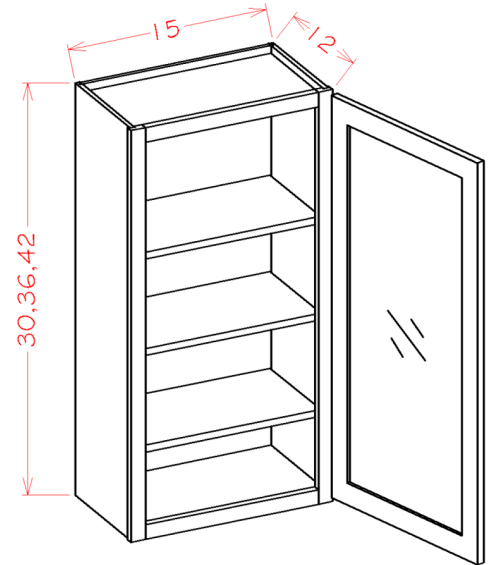


Wall Cabinets

Glass Door Wall Cabinets - Single Door

Model	Description	Width	Height	Depth
W1530GD	Cabinet Dimensions	15	30	12
	Door Dimensions	14½	29	¾
W1536GD	Cabinet Dimensions	12	36	12
	Door Dimensions	14½	35	¾
W1542GD	Cabinet Dimensions	15	42	12
	Door Dimensions	14½	41	¾

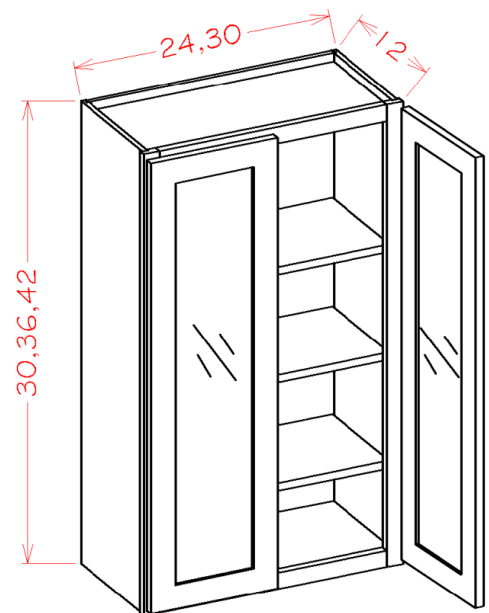
- These cabinets do not come with mullions or glass
- The interior is painted/stained to match the exterior



Glass Door Wall Cabinets - Double Door

Model	Description	Width	Height	Depth
W2430GD	Cabinet Dimensions	24	30	12
	Door Dimensions	11¾	29	¾
W2436GD	Cabinet Dimensions	24	36	12
	Door Dimensions	11¾	35	¾
W2442GD	Cabinet Dimensions	24	42	12
	Door Dimensions	11¾	41	¾
W3030GD	Cabinet Dimensions	30	30	12
	Door Dimensions	14¾	29	¾
W3036GD	Cabinet Dimensions	30	36	12
	Door Dimensions	14¾	35	¾
W3042GD	Cabinet Dimensions	30	42	12
	Door Dimensions	14¾	41	¾

- These cabinets do not come with mullions or glass
- The interior is painted/stained to match the exterior

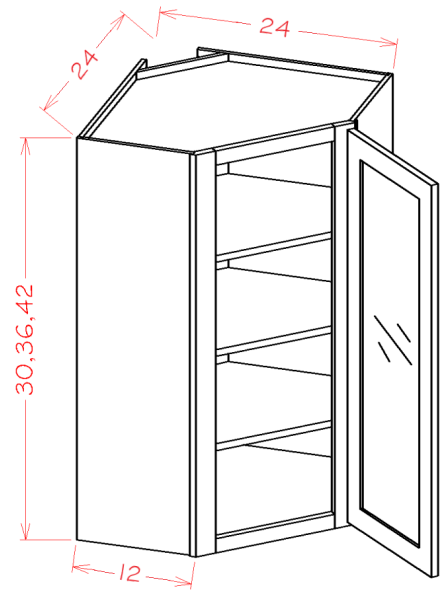


Wall Cabinets

Glass Door Diagonal Wall Cabinet

Model	Description	Width	Height	Depth
DCW2430GD	Cabinet Dimensions	24	30	12
	Door Dimensions	15¼	29	¾
DCW2436GD	Cabinet Dimensions	24	36	12
	Door Dimensions	15¼	35	¾
DCW2442GD	Cabinet Dimensions	24	42	12
	Door Dimensions	15¼	41	¾

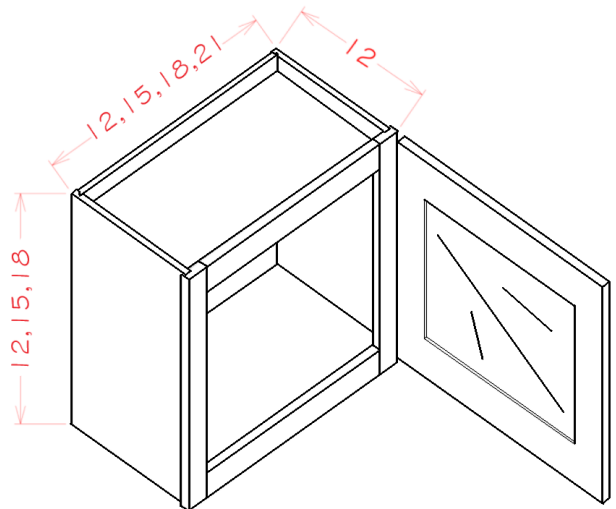
- Inside Opening: 12⅞"W
- These cabinets do not come with mullions or glass
- The interior is painted/stained to match the exterior



Glass Door Wall Stacker Cabinets - Single Door

Model	Description	Width	Height	Depth
W1212GD	Cabinet Dimensions	12	12	12
	Door Dimensions	11½	11	¾
W1512GD	Cabinet Dimensions	15	12	12
	Door Dimensions	14½	11	¾
W1812GD	Cabinet Dimensions	18	12	12
	Door Dimensions	17½	11	¾
W2112GD	Cabinet Dimensions	21	12	12
	Door Dimensions	20½	11	¾
W1215GD	Cabinet Dimensions	12	15	12
	Door Dimensions	11½	14	¾
W1515GD	Cabinet Dimensions	15	15	12
	Door Dimensions	14½	14	¾
W1815GD	Cabinet Dimensions	18	15	12
	Door Dimensions	17½	14	¾
W2115GD	Cabinet Dimensions	21	15	12
	Door Dimensions	20½	14	¾
W1218GD	Cabinet Dimensions	12	18	12
	Door Dimensions	11½	17	¾
W1518GD	Cabinet Dimensions	15	18	12
	Door Dimensions	14½	17	¾
W1818GD	Cabinet Dimensions	18	18	12
	Door Dimensions	17½	17	¾
W2118GD	Cabinet Dimensions	21	18	12
	Door Dimensions	20½	17	¾

- These cabinets do not come with mullions or glass
- The interior is painted/stained to match the exterior

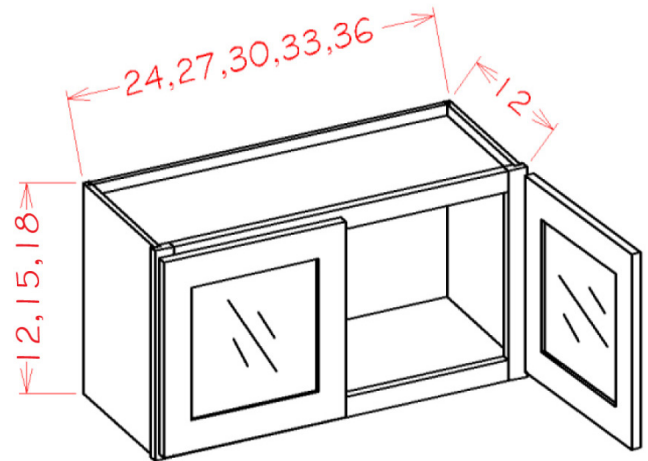


Wall Cabinets

Glass Door Wall Stacker Cabinets - Double Door

Model	Description	Width	Height	Depth
W2412GD	Cabinet Dimensions	24	12	12
	Door Dimensions	11 $\frac{3}{4}$	11	$\frac{3}{4}$
W2712GD	Cabinet Dimensions	27	12	12
	Door Dimensions	13 $\frac{3}{4}$	11	$\frac{3}{4}$
W3012GD	Cabinet Dimensions	30	12	12
	Door Dimensions	14 $\frac{3}{4}$	11	$\frac{3}{4}$
W3312GD	Cabinet Dimensions	33	12	12
	Door Dimension	16 $\frac{1}{4}$	11	$\frac{3}{4}$
W3612GD	Cabinet Dimension	36	12	12
	Door Dimensions	17 $\frac{3}{4}$	11	$\frac{3}{4}$
W2415GD	Cabinet Dimensions	24	15	12
	Door Dimensions	11 $\frac{3}{4}$	14	$\frac{3}{4}$
W2715GD	Cabinet Dimensions	27	15	12
	Door Dimensions	13 $\frac{3}{4}$	14	$\frac{3}{4}$
W3015GD	Cabinet Dimensions	30	15	12
	Door Dimensions	14 $\frac{3}{4}$	14	$\frac{3}{4}$
W3315GD	Cabinet Dimensions	33	15	12
	Door Dimensions	16 $\frac{1}{4}$	14	$\frac{3}{4}$
W3615GD	Cabinet Dimensions	36	15	12
	Door Dimensions	17 $\frac{3}{4}$	14	$\frac{3}{4}$
W2418GD	Cabinet Dimensions	24	18	12
	Door Dimensions	11 $\frac{3}{4}$	17	$\frac{3}{4}$
W2718GD	Cabinet Dimensions	27	18	12
	Door Dimensions	13 $\frac{3}{4}$	17	$\frac{3}{4}$
W3018GD	Cabinet Dimensions	30	18	12
	Door Dimensions	14 $\frac{3}{4}$	17	$\frac{3}{4}$
W3318GD	Cabinet Dimensions	33	18	12
	Door Dimensions	16 $\frac{1}{4}$	17	$\frac{3}{4}$
W3618GD	Cabinet Dimensions	36	18	12
	Door Dimensions	17 $\frac{3}{4}$	17	$\frac{3}{4}$

- These cabinets do not come with mullions or glass
- The interior is painted/stained to match the exterior

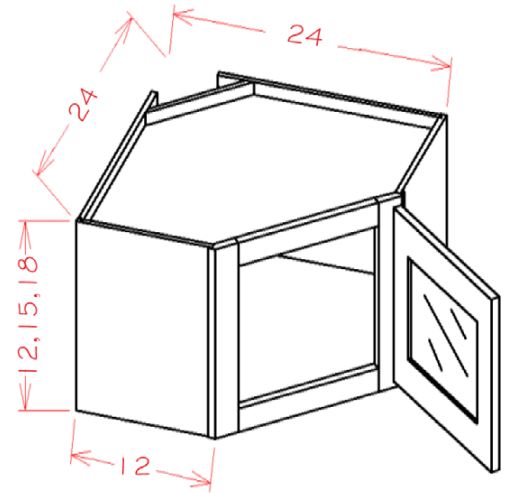


Wall Cabinets

Glass Door Diagonal Wall Stacker Cabinets 12" H

Model	Description	Width	Height	Depth
DCW2412GD	Cabinet Dimensions	24	12	12
	Door Dimensions	15¼	11	¾
DCW2415GD	Cabinet Dimensions	24	15	12
	Door Dimensions	15¼	14	¾
DCW2418GD	Cabinet Dimensions	24	18	12
	Door Dimensions	15¼	17	¾

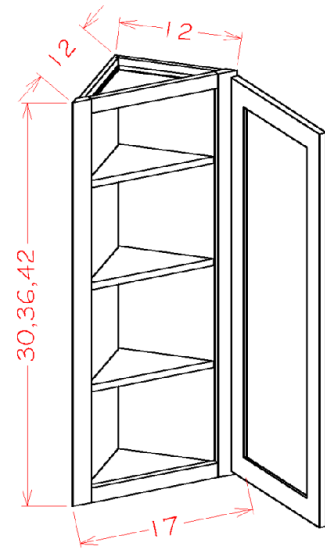
- These cabinets do not come with mullions or glass
- The interior is painted/stained to match the exterior



Specialty Walls - Angle Wall

Model	Description	Width	Height	Depth
AW1230	Cabinet Dimensions	12	30	12
	Door Dimensions	16¼	29	¾
AW1236	Cabinet Dimensions	12	36	12
	Door Dimensions	16⅝	35	¾
AW1242	Cabinet Dimensions	12	42	12
	Door Dimensions	16⅝	41	¾

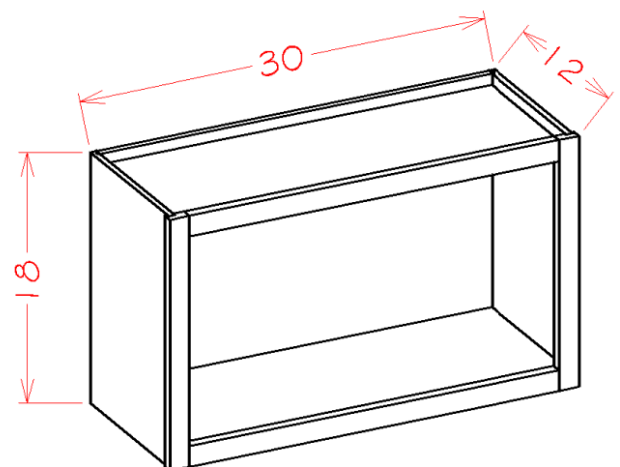
- Cabinet frame is 17"W



Specialty Walls - Wall Open Cabinet

Model	Description	Width	Height	Depth
WOC3018	Cabinet Dimensions	30	18	12

- Finished Interior

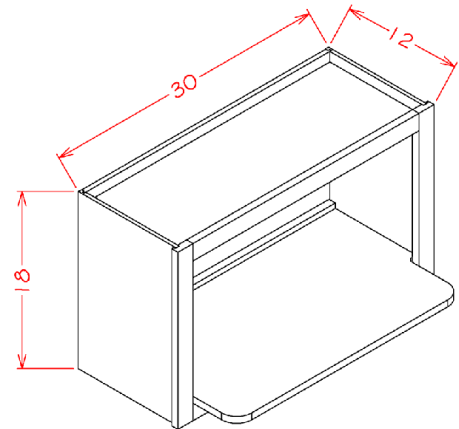


Wall Cabinets

Specialty Walls- Wall Microwave Cabinet Kits

Model	Description	Width	Height	Depth
WMS3018	Cabinet Dimensions	30	18	12
	Door Dimensions	26½	¾	17

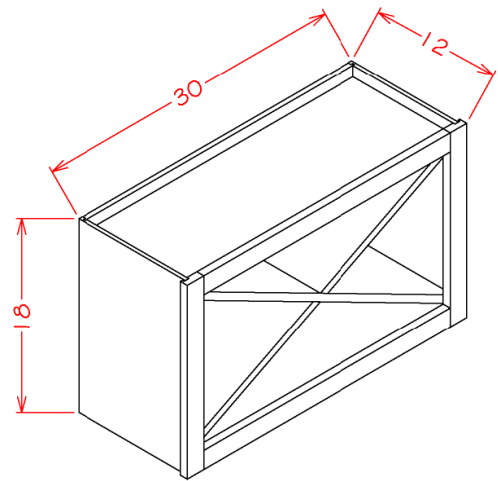
- Two boxes will be received when ordering this cabinet kit flat pack
- Shelf insert available for individual purchase, SKU: WMSSELF



Specialty Walls - Wall X Rack Cabinet Kit

Model	Description	Width	Height	Depth
WXR3018	Cabinet Dimensions	30	18	12
	Door Dimensions	26½	14½	11

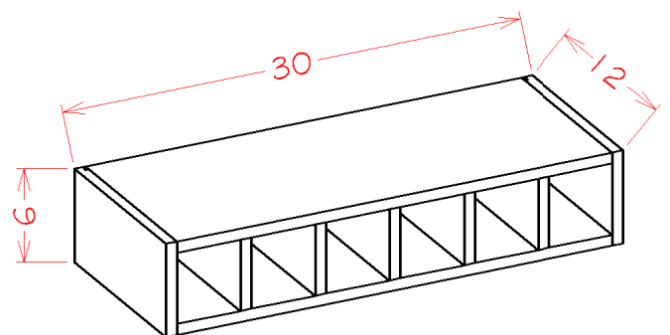
- Two boxes will be received when ordering this cabinet kit flat pack.
- Shelf insert available for individual purchase, SKU: WXRSELF



Wall Accessory Cabinets - Wine Cubby

Model	Description	Width	Height	Depth
WWC630	Cabinet Dimensions	30	6	12

- Fits 6 bottles

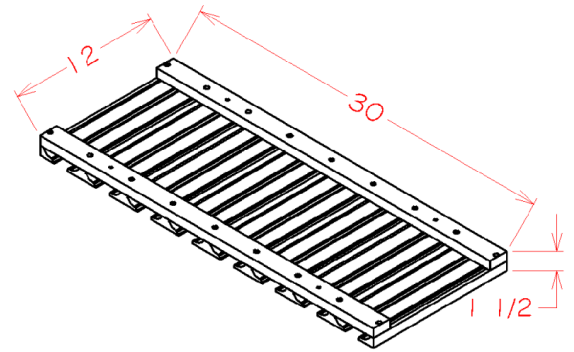


Wall Cabinets

Specialty Walls - Stem Glass Holder

Model	Description	Width	Height	Depth
SGH30	Dimensions	30	1½	12

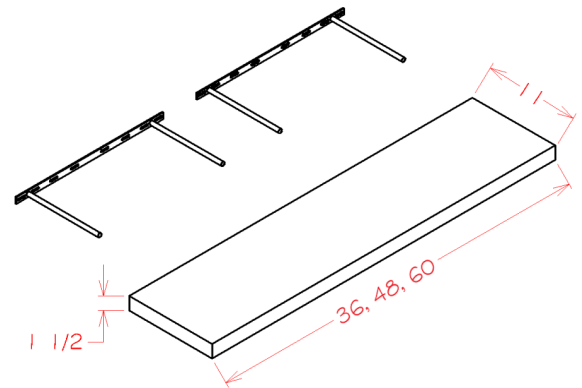
- Allows for stemmed glasses with bases up to 3"W



Specialty Walls - Floating Shelves

Model	Description	Width	Height	Depth
FS36	Shelf Dimensions	36	1½	11
FS48	Shelf Dimensions	48	1½	11
FS60	Shelf Dimensions	60	1½	11

- 36"W floating shelf only has one mounting bracket
- Recommended Max Weight: 25lbs

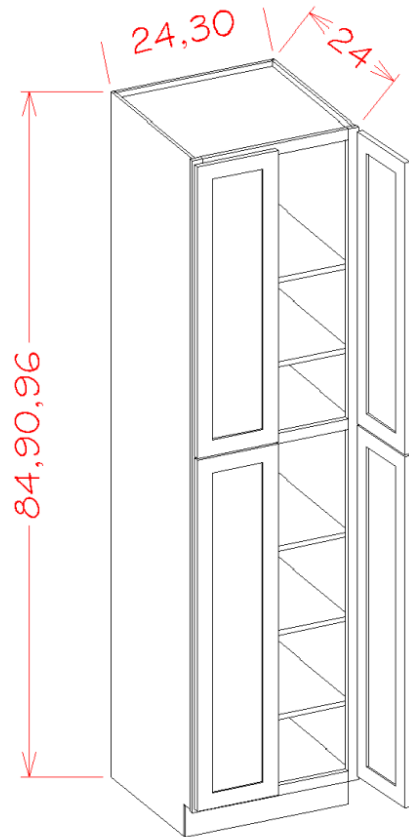


Tall Cabinets

Utility Cabinets - Four Doors

Model	Description	Width	Height	Depth
U248424	Cabinet Dimensions	24	84	24
	Top Door Dimensions	11¾	29	¾
	Bottom Door Dimensions	11¾	49¼	¾
U249024	Cabinet Dimensions	24	90	24
	Top Door Dimensions	11¾	35	¾
	Bottom Door Dimensions	11¾	49¼	¾
U249624	Cabinet Dimensions	24	96	24
	Top Door Dimensions	11¾	41	¾
	Bottom Door Dimensions	11¾	49¼	¾
U308424	Cabinet Dimensions	30	84	24
	Top Door Dimensions	14¾	29	¾
	Bottom Door Dimensions	14¾	49¼	¾
U309024	Cabinet Dimensions	30	90	24
	Top Door Dimensions	14¾	35	¾
	Bottom Door Dimensions	14¾	49¼	¾
U309624	Cabinet Dimensions	30	96	24
	Top Door Dimensions	14¾	41	¾
	Bottom Door Dimensions	14¾	49¼	¾

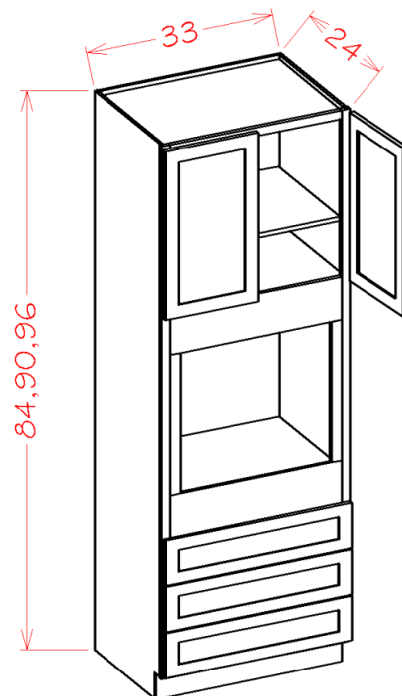
- Shaker, Everest, Oakley, Henley & Tacoma doors have a horizontal rail in the center of the bottom door



Oven Cabinets

Model	Description	Width	Height	Depth
O338424	Cabinet Dimensions	33	84	24
	Door Dimensions	16¼	17	¾
	Drawer Fronts	32½	7¾	¾
	Drawer Boxes	29	5⅛	20⅜
	Oven Opening	26½	24¼	22¾
O339024	Cabinet Dimensions	33	90	24
	Door Dimensions	16¼	23	¾
	Drawer Fronts	32½	7¾	¾
	Drawer Boxes	29	5⅛	20⅜
	Oven Opening	26½	24¼	22¾
O339624	Cabinet Dimensions	33	96	24
	Door Dimensions	16¼	29	¾
	Drawer Fronts	32½	7¾	¾
	Drawer Boxes	29	5⅛	20⅜
	Oven Opening	26½	24¼	22¾

- Oven opening can be modified to accommodate a double oven
- Height up to 51¾" (approx) with removal of top two drawers/cut down of top rail
- Width up to 31½" (approx) with cut down of stiles

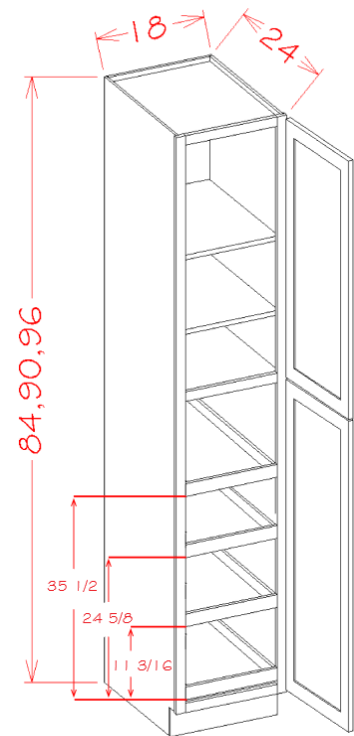


Tall Cabinets

Accessory Tall Cabinets - Two Door Utility Four Rollout Shelf Cabinet Kit

Model	Description	Width	Height	Depth
U1884244RS	Cabinet Dimensions	18	84	24
	Top Door Dimensions	17½	29	¾
	Bottom Door Dimensions	17½	49¼	¾
	Rollout Shelf	13⅜	3⅜	20⅞
U1890244RS	Cabinet Dimensions	18	90	24
	Top Door Dimensions	17½	35	¾
	Bottom Door Dimensions	17½	49¼	¾
	Rollout Shelf	13⅜	3⅜	20⅞
U1896244RS	Cabinet Dimensions	18	96	24
	Top Door Dimensions	17½	41	¾
	Bottom Door Dimensions	17½	49¼	¾
	Rollout Shelf	13⅜	3⅜	20⅞

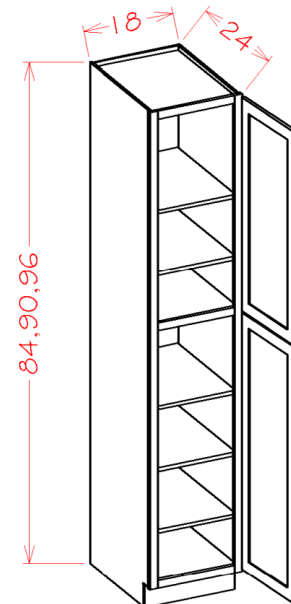
- Shaker, Everest, Oakley, Henley & Tacoma doors have a horizontal rail in the center of the bottom door
- Assembled cabinets with Rollout Shelf Kits are ONLY installed as indicated in the line drawing
- Five boxes will be received when ordering this cabinet kit flat pack
- Rollout Shelf glides are side mounted ball bearing with no soft close
- Rollout Shelf Recommended Max Weight: 35lbs



Utility Cabinets - Two Doors

Model	Description	Width	Height	Depth
U188424	Cabinet Dimensions	18	84	24
	Top Door Dimensions	17½	29	¾
	Bottom Door Dimensions	17½	49¼	¾
U189024	Cabinet Dimensions	18	90	24
	Top Door Dimensions	17½	35	¾
	Bottom Door Dimensions	17½	49¼	¾
U189624	Cabinet Dimensions	18	96	24
	Top Door Dimensions	17½	41	¾
	Bottom Door Dimensions	17½	49¼	¾

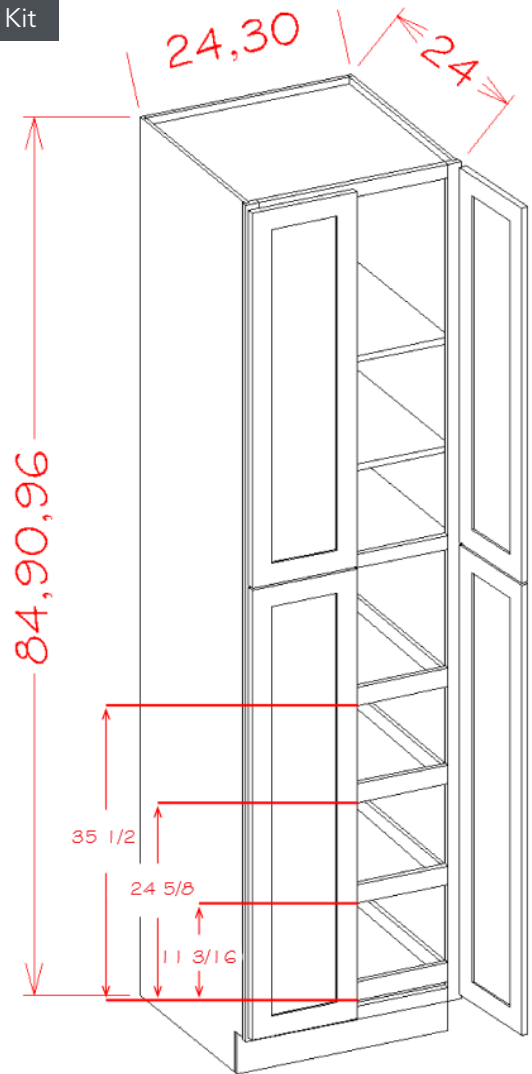
- Shaker, Everest, Oakley, Haven & Tacoma doors have a horizontal rail in the center of the bottom door



Tall Cabinets

Accessory Tall Cabinets - Four Door Utility Four Rollout Shelf Cabinet Kit

Model	Description	Width	Height	Depth
U2484244RS	Cabinet Dimensions	24	84	24
	Top Door Dimensions	11 $\frac{3}{4}$	29	$\frac{3}{4}$
	Bottom Door Dimensions	11 $\frac{3}{4}$	49 $\frac{1}{4}$	$\frac{3}{4}$
	Rollout Shelf	19 $\frac{1}{2}$	3 $\frac{3}{8}$	20 $\frac{7}{16}$
U2490244RS	Cabinet Dimensions	24	90	24
	Top Door Dimensions	11 $\frac{3}{4}$	35	$\frac{3}{4}$
	Bottom Door Dimensions	11 $\frac{3}{4}$	49 $\frac{1}{4}$	$\frac{3}{4}$
	Rollout Shelf	19 $\frac{1}{2}$	3 $\frac{3}{8}$	20 $\frac{7}{16}$
U2496244RS	Cabinet Dimensions	24	96	24
	Top Door Dimensions	11 $\frac{3}{4}$	41	$\frac{3}{4}$
	Bottom Door Dimensions	11 $\frac{3}{4}$	49 $\frac{1}{4}$	$\frac{3}{4}$
	Rollout Shelf	19 $\frac{1}{2}$	3 $\frac{3}{8}$	20 $\frac{7}{16}$
U3084244RS	Cabinet Dimensions	30	84	24
	Top Door Dimensions	14 $\frac{3}{4}$	29	$\frac{3}{4}$
	Bottom Door Dimensions	14 $\frac{3}{4}$	49 $\frac{1}{4}$	$\frac{3}{4}$
	Rollout Shelf	25 $\frac{3}{8}$	3 $\frac{3}{8}$	20 $\frac{7}{16}$
U3090244RS	Cabinet Dimensions	30	90	24
	Top Door Dimensions	14 $\frac{3}{4}$	35	$\frac{3}{4}$
	Bottom Door Dimensions	14 $\frac{3}{4}$	49 $\frac{1}{4}$	$\frac{3}{4}$
	Rollout Shelf	25 $\frac{3}{8}$	3 $\frac{3}{8}$	20 $\frac{7}{16}$
U3096244RS	Cabinet Dimensions	30	96	24
	Top Door Dimensions	14 $\frac{3}{4}$	41	$\frac{3}{4}$
	Bottom Door Dimensions	14 $\frac{3}{4}$	49 $\frac{1}{4}$	$\frac{3}{4}$
	Rollout Shelf	25 $\frac{3}{8}$	3 $\frac{3}{8}$	20 $\frac{7}{16}$

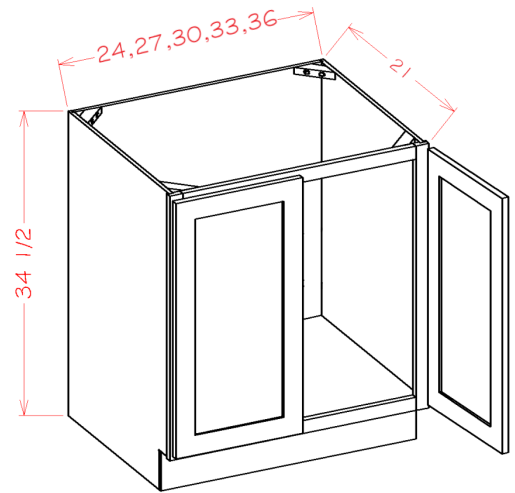


- Shaker, Everest, Oakley, Henley & Tacoma doors have a horizontal rail in the center of the bottom door
- Assembled cabinets with Rollout Shelf Kits are ONLY installed as indicated in the line drawing
- Five boxes will be received when ordering this cabinet kit flat pack
- Rollout Shelf glides are side mounted ball bearing with no soft close
- Rollout Shelf Recommended Max Weight: 35lbs

Vanity Cabinets

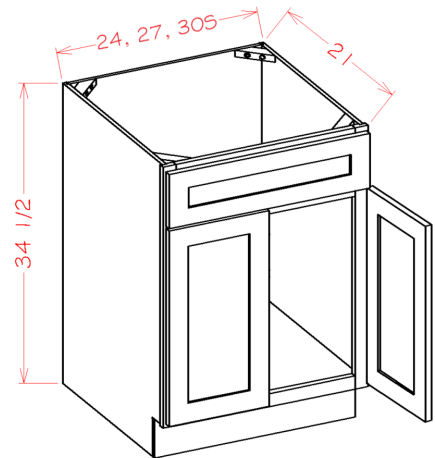
Vanity Sink Bases - Full Height Double Door

Model	Description	Width	Height	Depth
VS24FH	Cabinet Dimensions	24	34½	21
	Door Dimensions	11¾	29	¾
VS27FH	Cabinet Dimensions	27	34½	21
	Door Dimensions	13¾	29	¾
VS30FH	Cabinet Dimensions	30	34½	21
	Door Dimensions	14¾	29	¾
VS33FH	Cabinet Dimensions	33	34½	21
	Door Dimensions	16¾	29	¾
VS36FH	Cabinet Dimensions	36	34½	21
	Door Dimensions	17¾	29	¾



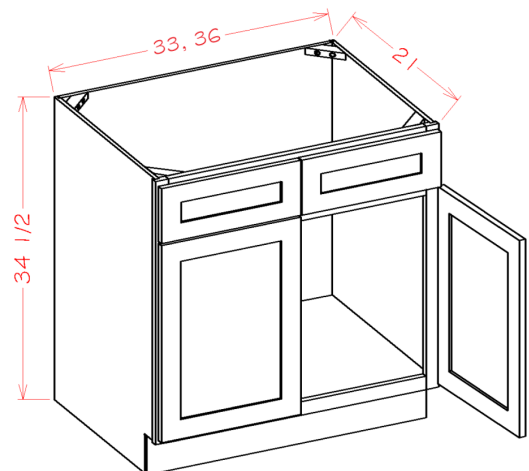
Vanity Sink Bases - Double Door Single Drawer Front

Model	Description	Width	Height	Depth
VS24	Cabinet Dimensions	24	34½	21
	Door Dimensions	11¾	22½	¾
	Drawer Front	23½	6¼	¾
VS27	Cabinet Dimensions	27	34½	21
	Door Dimensions	13¾	22½	¾
	Drawer Front	26½	6¼	¾
VS30S	Cabinet Dimensions	30	34½	21
	Door Dimensions	14¾	22½	¾
	Drawer Front	29½	6¼	¾



Vanity Sink Bases - Double Door Double Drawer Front

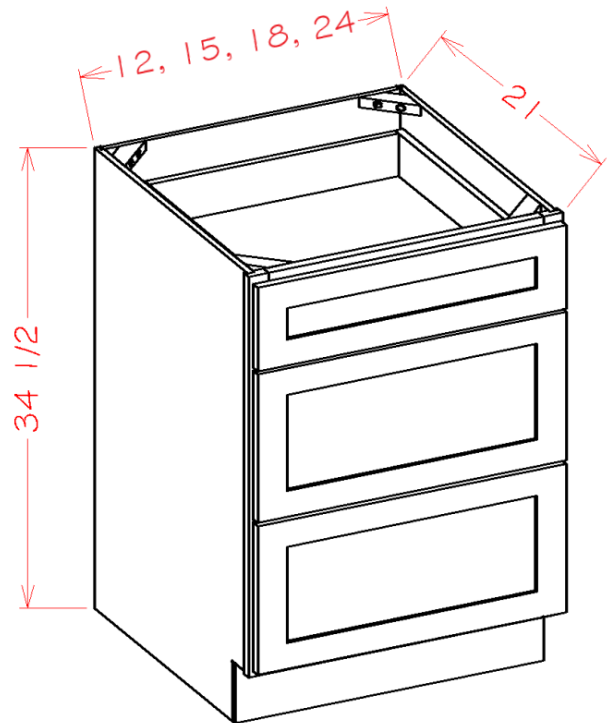
Model	Description	Width	Height	Depth
VS33	Cabinet Dimensions	33	34½	21
	Door Dimensions	16¾	22½	¾
	Drawer Fronts	16¾	6¼	¾
VS36	Cabinet Dimensions	36	34½	21
	Door Dimensions	17¾	22½	¾
	Drawer Fronts	17¾	6¼	¾



Vanity Cabinets

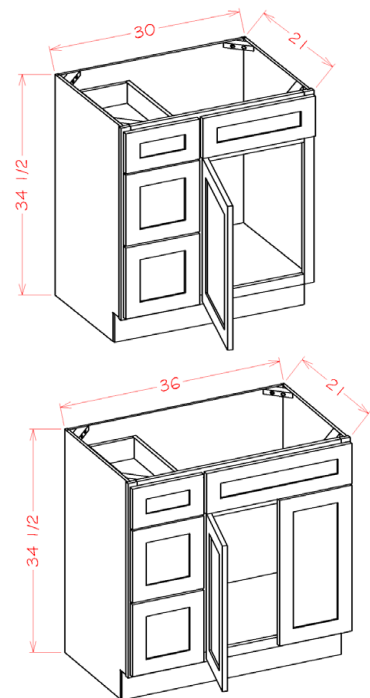
Vanity Drawer Bases

Model	Description	Width	Height	Depth
3VDB12	Cabinet Dimensions	12	34½	21
	Top Drawer Front	11½	6¼	¾
	Bottom Drawer Front	11½	11⅛	¾
	Top Drawer Box	8	3⅜	17⅜
	Bottom Drawer Box	8	8¼	17⅜
3VDB15	Cabinet Dimensions	15	34½	21
	Top Drawer Front	14½	6¼	¾
	Bottom Drawer Front	14½	11⅛	¾
	Top Drawer Box	11	3⅜	17⅜
	Bottom Drawer Box	11	8¼	17⅜
3VDB18	Cabinet Dimensions	18	34½	21
	Top Drawer Front	17½	6¼	¾
	Bottom Drawer Front	17½	11⅛	¾
	Top Drawer Box	14	3⅜	17⅜
	Bottom Drawer Box	14	8¼	17⅜
3VDB24	Cabinet Dimensions	24	34½	21
	Top Drawer Front	23½	6¼	¾
	Bottom Drawer Front	23½	11⅛	¾
	Top Drawer Box	20	3⅜	17⅜
	Bottom Drawer Box	20	8¼	17⅜



Vanity Combo Bases - Drawers Left

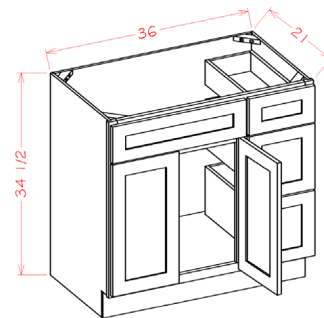
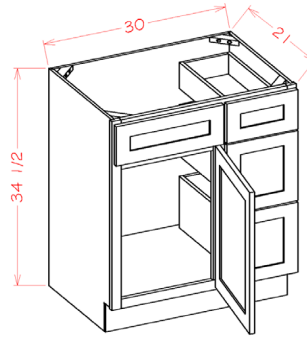
Model	Description	Width	Height	Depth
V3021DL	Cabinet Dimensions	30	34½	21
	Top Drawer Front	11½	6¼	¾
	Bottom Drawer Front	11½	11⅛	¾
	Top Long Drawer Front	17½	6¼	¾
	Top Drawer Box	8	3⅜	17⅜
	Bot/Mid Drawer Box	8	8¼	17⅜
	Door Dimensions	17½	22½	¾
V3621DL	Cabinet Dimensions	36	34½	21
	Top Drawer Front	11½	6¼	¾
	Bottom Drawer Front	11½	11⅛	¾
	Top Long Drawer Front	23½	3⅜	¾
	Top Drawer Box	8	8¼	17⅜
	Bot/Mid Drawer Box	8	8¼	17⅜
	Door Dimensions	11¾	22½	¾



Vanity Cabinets

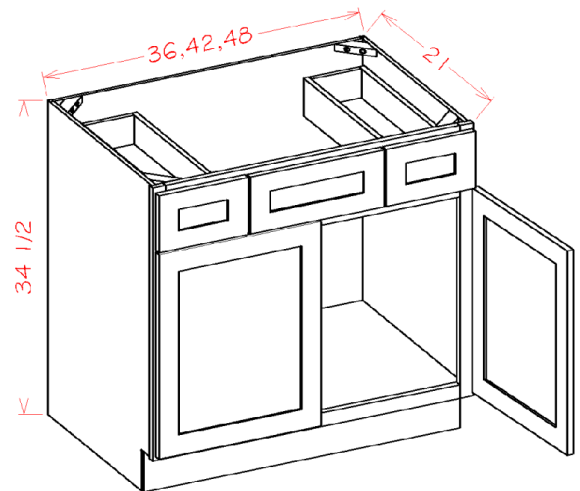
Vanity Combo Bases - Drawers Right

Model	Description	Width	Height	Depth
V3021DR	Cabinet Dimensions	30	34½	21
	Top Drawer Front	11½	6¼	¾
	Bot/Mid Drawer Front	11½	11⅞	¾
	Top Long Drawer Front	17½	6¼	¾
	Top Drawer Box	8	3⅜	17⅜
	Bot/Mid Drawer Box	8	8¼	17⅜
	Door Dimensions	17½	22½	¾
V3621DR	Cabinet Dimensions	36	34½	21
	Top Drawer Front	11½	6¼	¾
	Bot/Mid Drawer Front	11½	11⅞	¾
	Top Long Drawer Front	23½	3⅜	¾
	Top Drawer Box	8	8¼	17⅜
	Bot/Mid Drawer Box	8	8¼	17⅜
	Door Dimensions	11¾	22½	¾



Vanity Combo Bases

Model	Description	Width	Height	Depth
VSD36	Cabinet Dimensions	36	34½	21
	Door Dimensions	17¾	22½	¾
	Outside Drawer Front	10¼	6¼	¾
	Center Drawer Front	14½	6¼	¾
	Drawer Box	7⅞	3⅜	17⅜
VSD42	Cabinet Dimensions	42	34½	21
	Door Dimensions	20¾	22½	¾
	Outside Drawer Front	11½	6¼	¾
	Center Drawer Front	18	6¼	¾
	Drawer Box	8⅞	3⅜	17⅜
VSD48	Cabinet Dimensions	48	34½	21
	Door Dimensions	23¾	22½	¾
	Outside Drawer Front	14½	6¼	¾
	Center Drawer Front	18	6¼	¾
	Drawer Box	11⅞	3⅜	17⅜

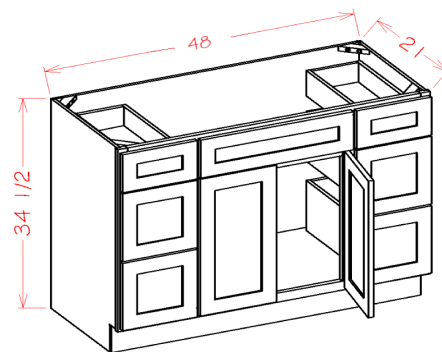
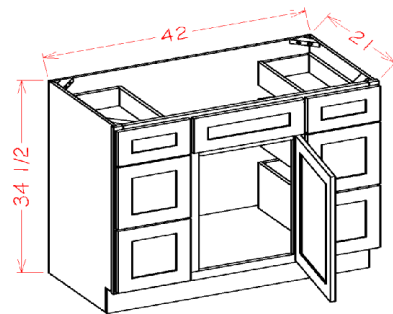


- The VSD42 & 48 have a center stile.

Vanity Cabinets

Vanity Combo Bases - Double Drawer Stack

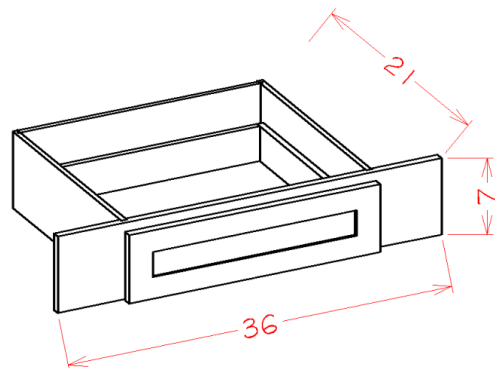
Model	Description	Width	Height	Depth
VDDB42	Cabinet Dimensions	42	34½	21
	Door Dimensions	17⅝	22½	¾
	Top Drawer Front	11½	6¼	¾
	Bottom Drawer Front	11½	11⅞	¾
	Top Long Drawer Front	17⅝	6¼	¾
	Top Drawer Box	8	3⅜	17⅜
	Bot/Mid Drawer Box	8	8¼	17⅜
VDDB48	Cabinet Dimensions	48	34½	21
	Door Dimensions	11¾	22½	¾
	Top Drawer Front	11½	6¼	¾
	Bottom Drawer Front	11½	11⅞	¾
	Top Long Drawer Front	23⅝	6¼	¾
	Top Drawer Box	8	3⅜	17⅜
	Bot/Mid Drawer Box	8	8¼	17⅜



Specialty Vanity - Vanity Knee Drawer

Model	Description	Width	Height	Depth
VKD36	Cabinet Dimensions	36	7	21
	Drawer Front	23½	6¼	¾
	Drawer Box	16¼	3⅜	17⅜

- Trimmable to 27" wide

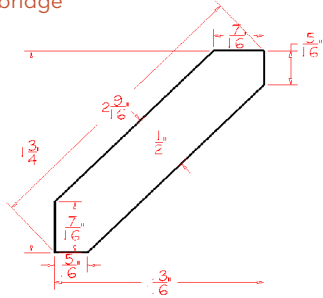


Moulding

Crown Moulding - 1 3/4"H Angled Crown Moulding

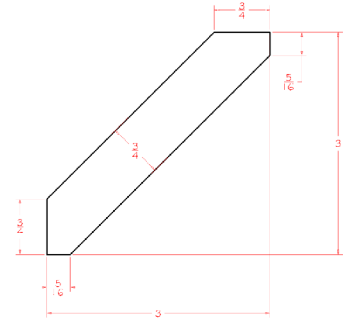
Model	Description	Width	Height	Depth
ACM8	Dimension	96	1 3/4	1 13/16

*Not available for Cambridge



Crown Moulding - 3"H Angled Crown Moulding

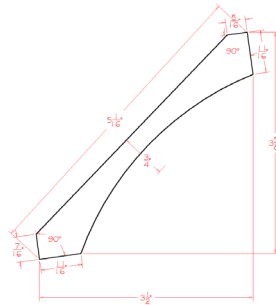
Model	Description	Width	Height	Depth
LACM8	Dimension	96	3	3



Crown Moulding - Cove Moulding

Model	Description	Width	Height	Depth
COV	Dimension	96	3 5/8	3 1/2

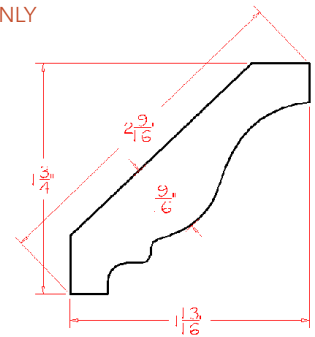
*Not available for Cambridge



Crown Moulding - Classic Crown Moulding

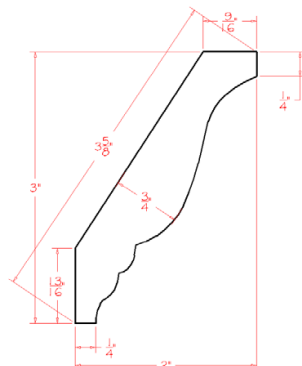
Model	Description	Width	Height	Depth
CM8	Dimension	96	1 3/4	1 13/16

*Available for Casselberry ONLY



Crown Moulding - Decorative Crown Moulding

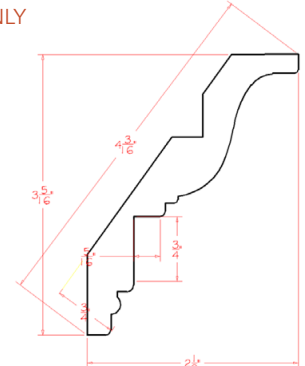
Model	Description	Width	Height	Depth
DCM	Dimension	96	3	2



Crown Moulding - Inset Crown Moulding

Model	Description	Width	Height	Depth
ICM	Dimension	96	3 5/16	2 1/2

*Available for Casselberry ONLY

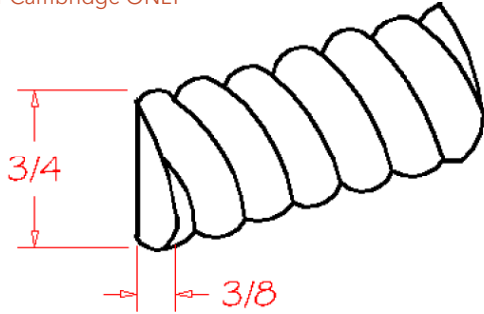


Moulding

Crown Moulding - Rope Moulding

Model	Description	Width	Height	Depth
ROPE	Dimension	96	3/4	3/8

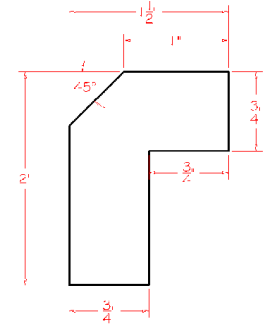
*Available for Cambridge ONLY



Light Rail Moulding - Angled Light Rail

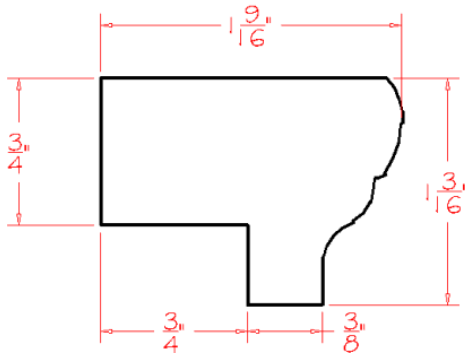
Model	Description	Width	Height	Depth
ALRM	Dimension	96	1 1/2	2

*Not available for Cambridge



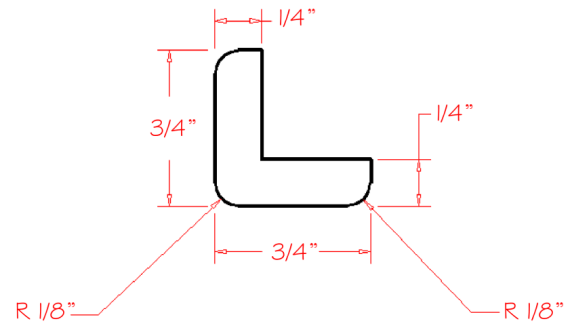
Light Rail Moulding - Beveled Light Rail

Model	Description	Width	Height	Depth
LRM	Dimension	96	1 3/16	1 9/16



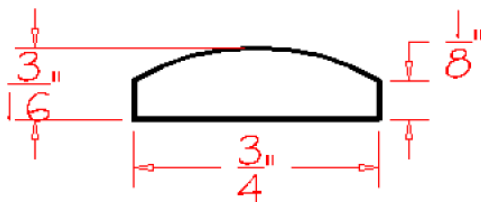
Trim - Outside Corner Moulding

Model	Description	Width	Height	Depth
OCM	Dimension	96	3/4	3/4



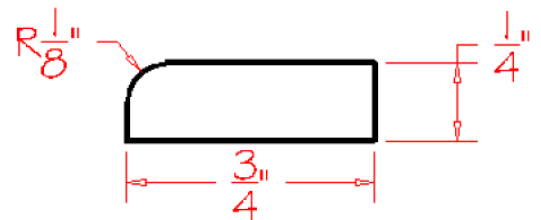
Trim - Batten Moulding

Model	Description	Width	Height	Depth
BAM	Dimension	96	3/4	3/16



Trim - Scribe Moulding

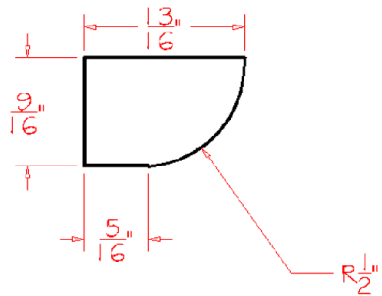
Model	Description	Width	Height	Depth
SCR	Dimension	96	3/4	1/4



Moulding

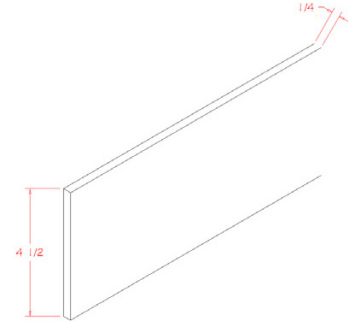
Trim - Shoe Moulding

Model	Description	Width	Height	Depth
SHM	Dimension	96	¾	½



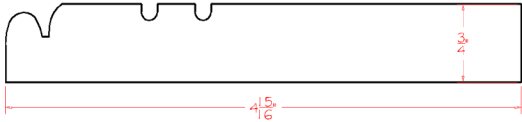
Toe Kick Mouldings - Toe Kick Cover

Model	Description	Width	Height	Depth
TKC	Dimension	96	4½	¼



Toe Kick Mouldings - Furniture Base Moulding

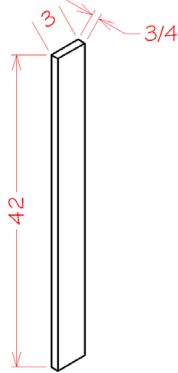
Model	Description	Width	Height	Depth
FBM	Dimension	96	4 ¹⁵ / ₁₆	¾



Fillers and Panels

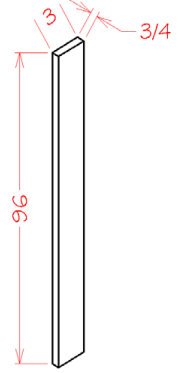
Fillers - 3" Wall/Base Filler

Model	Description	Width	Height	Depth
F342	Dimension	3	42	¾



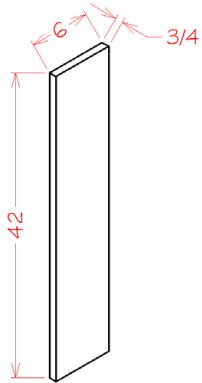
Fillers - 3" Tall Filler

Model	Description	Width	Height	Depth
F396	Dimension	3	96	¾



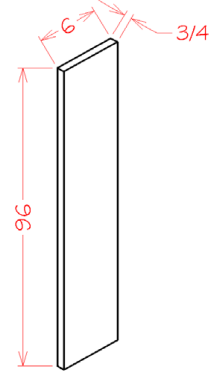
Fillers - 6" Wall/Base Filler

Model	Description	Width	Height	Depth
F642	Dimension	6	42	¾



Fillers - 6" Tall Filler

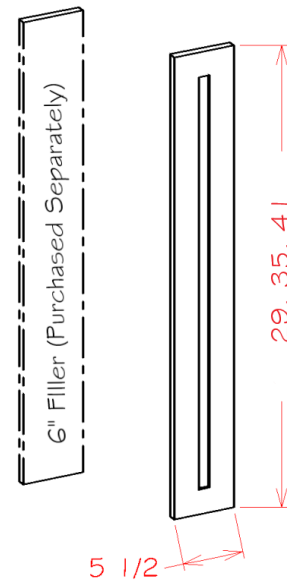
Model	Description	Width	Height	Depth
F696	Dimension	6	96	¾



Filler Overlays

Model	Description	Width	Height	Depth
FOL630	Dimension	5½	29	¾
FOL636	Dimension	5½	35	¾
FOL642	Dimension	5½	41	¾

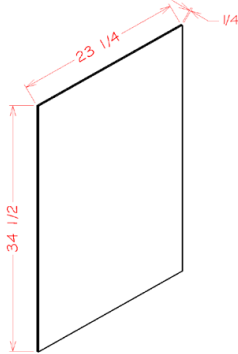
- Filler overlays have a matching door profile
- 6" filler required for application (purchased separately)



Fillers and Panels

Skin Panels - Base Skin Panel

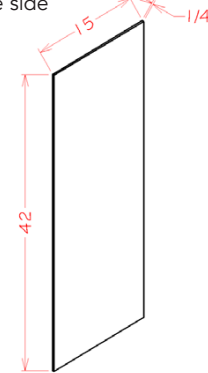
Model	Description	Width	Height	Depth
BSV	Dimension	23 1/4	34 1/2	1/4



Skin Panels - Wall Skin Panel

Model	Description	Width	Height	Depth
WSV42	Dimension	15	42	1/4

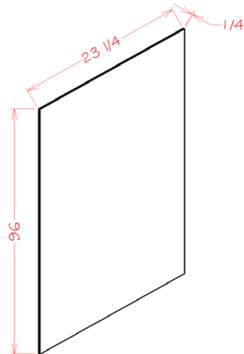
- Only finished on one side



Skin Panels - Utility Skin Panel

Model	Description	Width	Height	Depth
USV2496	Dimension	23 1/4	96	1/4

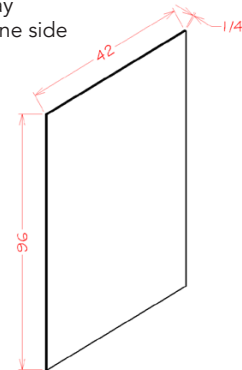
- Only finished on one side



Skin Panels - Long Skin Panel

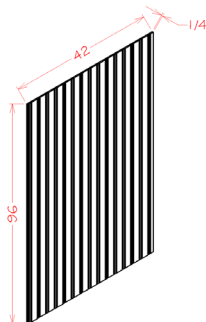
Model	Description	Width	Height	Depth
FPV4296	Dimension	42	96	1/4

- Grain runs long way
- Only finished on one side



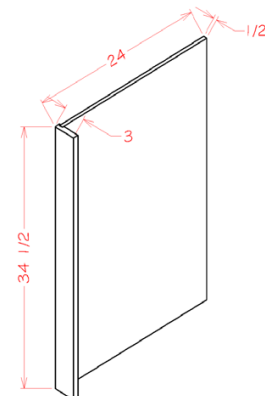
Skin Panels - Bead Board Panel

Model	Description	Width	Height	Depth
BBFPV4296	Dimension	42	96	1/4



Panels - Dishwasher Return Panel

Model	Description	Width	Height	Depth
DWR3	Dimension	3	34 1/2	24

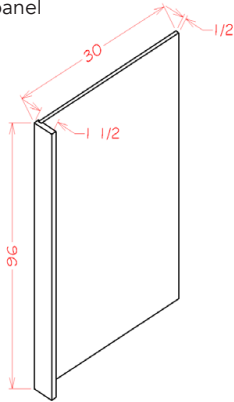


Fillers and Panels

Panels - Refrigerator End Panel

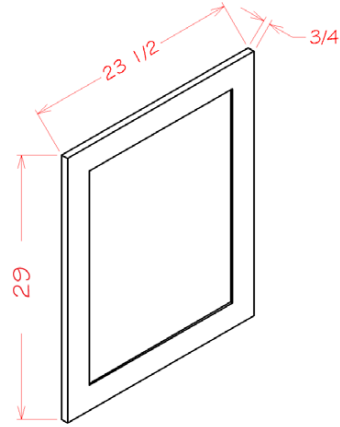
Model	Description	Width	Height	Depth
REPV3096	Dimension	1½	96	30

- REPVKIT available with (4) metal L-Brackets to attach the front filler piece to the panel



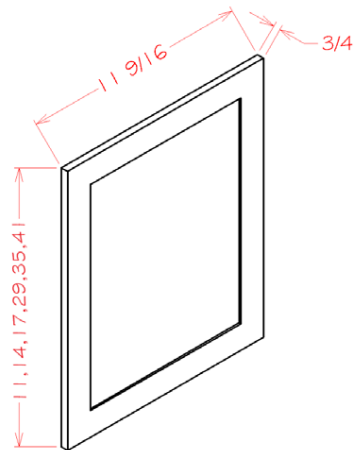
Decorative End Panels - Base Decorative End Panel

Model	Description	Width	Height	Depth
BDEP	Dimension	23½	29	¾



Decorative End Panels - Wall Decorative End Panel

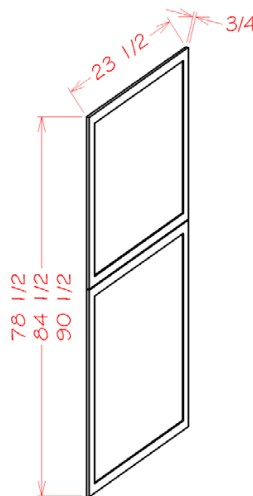
Model	Description	Width	Height	Depth
WDEP1212	Dimension	11½	11	¾
WDEP1215	Dimension	11½	14	¾
WDEP1218	Dimension	11½	17	¾
WDEP30	Dimension	11½	29	¾
WDEP36	Dimension	11½	35	¾
WDEP42	Dimension	11½	41	¾



Panels - Tall Decorative End Panel

Model	Description	Width	Height	Depth
TDEP2484	Dimension	23½	78½	30
TDEP2490	Dimension	23½	84½	30
TDEP2496	Dimension	23½	90½	30

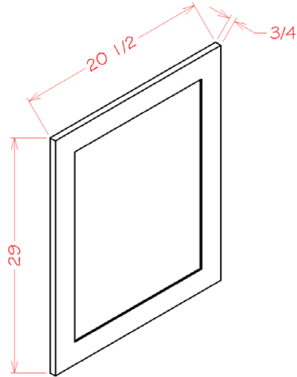
- Shaker, Oakley, Everest, & Tahoma panels have horizontal rail in the center of the bottom panel



Fillers and Panels

Panels -Vanity Decorative End Panel

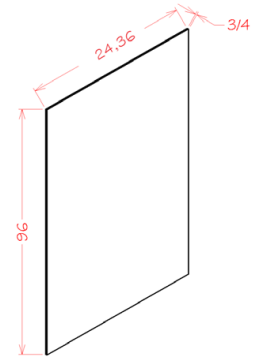
Model	Description	Width	Height	Depth
VDEP	Dimension	20½	29	¾



Panels - Finished Shelf Board

Model	Description	Width	Height	Depth
S2496	Dimension	24	96	¾
S2496	Dimension	36	96	¾

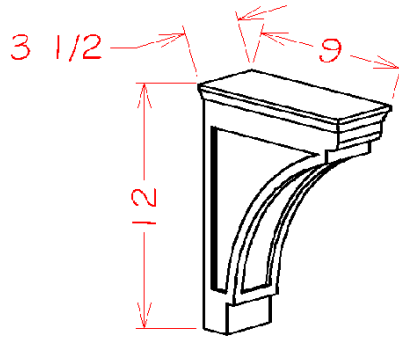
- One long edge banded to match
- Finished on both sides



Accessories

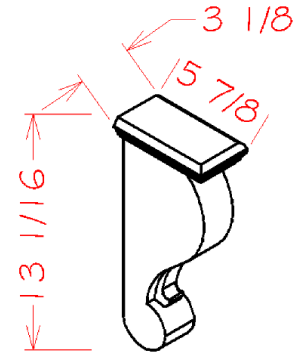
Accent Accessories - Modern Corbel

Model	Description	Width	Height	Depth
MCB	Dimension	3 1/2	12	9



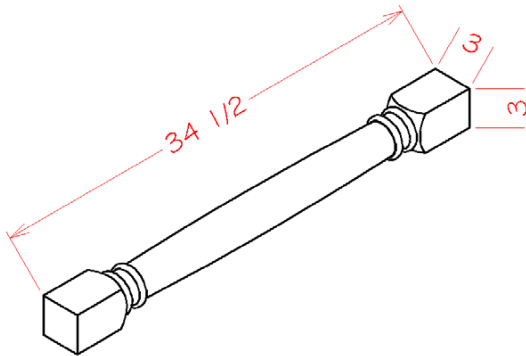
Accent Accessories - Traditional Corbel

Model	Description	Width	Height	Depth
CBT	Dimension	3 1/8	3 1/16	5 7/8



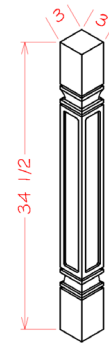
Accent Accessories - Classic Decorative Leg

Model	Description	Width	Height	Depth
CLDL	Dimension	3	34 1/2	3



Accent Accessories - Square Decorative Leg

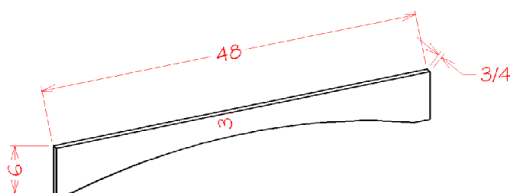
Model	Description	Width	Height	Depth
SQDL	Dimension	3	34 1/2	3



Accent Accessories - Shaker Valance

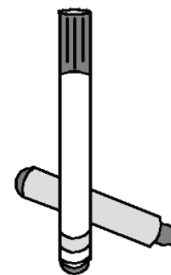
Model	Description	Width	Height	Depth
VASH48	Dimension	48	6	3/4

- Trimmable on each side by 1 1/4"
- Finished on both sides and two long edges



Touch Up Kit

- Available for all framed finishes
- Contains paint pen, fill stick, & application card

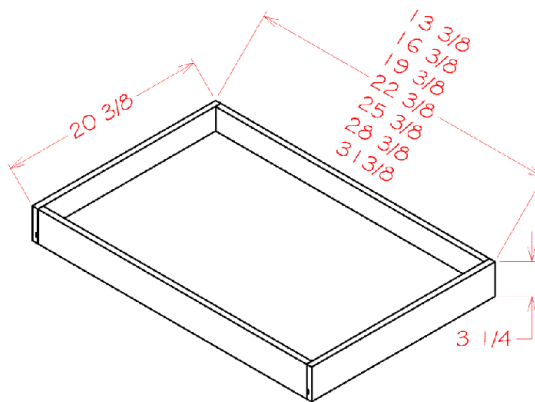


Accessories

Roll Out Shelves

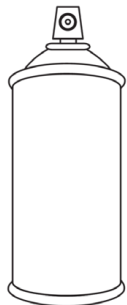
Model	Description	Width	Height	Depth
RS18-TypeA	Dimensions	13 3/8	3 3/8	20 7/16
RS21-TypeA	Dimensions	16 3/8	3 3/8	20 7/16
RS24-TypeA	Dimensions	19 1/2	3 3/8	20 7/16
RS27-TypeA	Dimensions	22 1/2	3 3/8	20 7/16
RS30-TypeA	Dimensions	25 3/8	3 3/8	20 7/16
RS33-TypeA	Dimensions	28 3/8	3 3/8	20 7/16
RS36-TypeA	Dimensions	31 3/8	3 3/8	20 7/16

- Glides are side mounted ball bearing with no soft close
- Recommended Max Weight: 35lbs



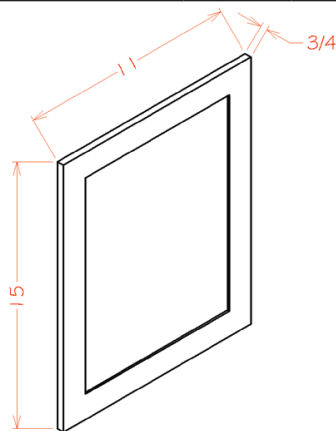
Spray Paint

- Available for painted finishes ONLY



Sample Door - SD

Model	Description	Width	Height	Depth
SD	Dimensions	11	15	3/4



Terms and Conditions

Dealer Policies

- As an authorized Cabinet Corp dealer, it is your responsibility to communicate our policies, product information, order information, claim information, etc. to your customer.
 - Cabinet Corp will not provide any details to dealers' customer(s) at any time nor will we be held responsible for any inaccurate information provided by dealers and their associates.
- Any dealer selling Cabinet Corp products online must complete the Online Retail Acknowledgment form and be approved prior to offering it for resale.
 - If online resale is approved by Cabinet Corp, you are only allowed to resell on the website specified at the time of approval. Resale on additional websites will require additional approval from Cabinet Corp.
- Prior to publicizing your selling price, all dealers must adhere to the minimum advertised price as confirmed with your Cabinet Corp representative.
- Cabinet Corp reserves the right to monitor and modify dealer accounts as it applies to the company standards, (i.e. active status, eligible discounts, etc).

Order Processing and Payment

- All orders from Cabinet Corp approved dealers will be accepted online only.
- Large quantities of a single item or larger orders may trigger a review process that will require Cabinet Corp approval prior to proceeding.
- Full payment is required before an order will be processed. (This includes backorders and approved written add-ons).
- Payment can be made by Credit Card, Debit Card, or PayPal.
 - Cabinet Corp cannot be held liable for payment methods that are not owned and/or managed by the dealer.
- Any order, or change, that is unable to be completed on the website, must be submitted in writing to info@cabinetcorp.com. Such requests exclude the order(s) from standard lead times.
 - Once an order is in process, no changes can be made. Additional items can be processed online as a new order.

Shipped Order Lead Time

- Flat-pack orders are processed and shipped within 3 full business days
- Assembled orders are processed and shipped within 5 full business days.

Warehouse Pick Up Order Lead Time

- Flat-pack warehouse pickup orders are processed and made available for pickup within three full business days.
- Assembled warehouse pickup orders are processed and made available for pickup within five full business days.
- Rush services are available for both flat-pack and assembled orders for an additional fee as calculated on the website. (All orders with rush services are subject to total item quantity review.) The "Rush Fee" only applies to warehouse processing time and does not apply to transit time to your destination.
 - Flat-Pack
 - Same-day warehouse pickup is available for flat-pack orders placed by 12:00 PM (local warehouse time) and requires a minimum 3 hour processing time.
 - Same-day shipping is available for flat-pack orders placed by 12:00 PM (local fulfilling warehouse time). Orders placed after 12:00 PM will be processed the following business day.
 - Assembled

- Rush services for assembled orders are processed and available for warehouse pickup or shipping within 3 business days.
- Cabinet Corp reserves the right to activate or deactivate assembly rush services at the company's discretion.
- Rush services are unavailable for discontinued lines. Combined orders subject to refund a of the rush fee.
- Rush services must be selected at the time of checkout.
- "Day One" starts on the next full business day after the order is placed.
- Cancellations after the order is picked will be subject to a 10% processing fee.
- Cancellations made after an order has been loaded onto a carrier's truck, or picked up, are subject to a 20% restocking/processing fee.

Backorders

- Cabinet Corp reserves the right to activate or deactivate backorders for certain styles, colors, or SKUs at the company's discretion.
- Backorder shipping fees are based on the estimated size of the order and are subject to change based on market rates and services.
- The backorder shipping fee only covers one shipment, the backorder will not be released until all items on the backorder have been replenished in the fulfilling warehouse.

Assembly and Modifications

- Assembly and limited modifications are available for warehouse pickup and freight shipped orders (from select warehouses) for additional labor and shipping fees as calculated by the website.
- A limited number of modifications are available on framed assembled items only, including:
 - Increased Depth
 - Decreased Depth
 - Prep for Glass: Route Door(s) and Finish Interior
 - Double Oven Conversion
- Modifications exempt the entire order from normal lead times and can take up to an additional 5 business days for completion.

Shipping and Delivery

- All LTL freight orders are packaged in individual boxes, placed on a pallet, shrink-wrapped, and strapped.
- All LTL freight shipping charges are calculated online at the time of checkout.
- Cabinet Corp reserves the right to fulfill orders between multiple shipments from different distribution facilities, without prior notification to the customer and with no additional cost applied.

Shipping and Delivery cont.

- If a customer requests changes to their selected shipping method after the time of checkout, additional charges may apply.

LTL Shipping

- There is a 2-5 business day standard transit time with LTL carriers. Please account for at least one extra day for residential deliveries and deliveries requiring a scheduled delivery appointment.
- Shipping charges must be paid for when your order is placed online. (Orders exceeding standard LTL sizes are subject to additional fees for Full truckload shipping).
 - This can be, but not always, identified by a \$9999 shipping cost that is revised after your order has been reviewed for shipping.

Terms and Conditions

- You will receive a tracking number by email the day after the order has shipped.
- All destinations must be tractor/trailer accessible, or Limited Access fees will be applied as assessed by the website.
- For residential deliveries and deliveries requiring an appointment, the freight company will reach out to the ship-to contact (consignee) 24 hours in advance to schedule the delivery (usually a 3-4 hour window).
- Shipping charges cover one delivery attempt. The customer is responsible for any additional shipping and handling charges for delivery failure due to customer circumstances.

LTL Delivery Policies

- The driver is only responsible for placing the pallet on the ground for deliveries that had lift gate services selected at the time of checkout.
- Address classifications are based on city zoning, therefore it is possible to have a commercial property in a residential area. In this case the delivery would be considered residential, and subject to the residential delivery fees and conditions.
- A responsible party must be present to inspect, inventory, and sign off on the delivery.
 - You MUST notate if the number of pallets delivered does not match the number listed on the driver's delivery receipt copy.
 - Careful inspection of packaging conditions is vital to file freight claims. Any visible damages must be noted on the paperwork when signing for the delivery, as well as documented with photos. Even if you are not sure if the contents inside contain damages due to the exterior's condition, you MUST indicate on the delivery receipt to be able to claim concealed damages in the future.
 - Do NOT reject damaged items. The delivery should be accepted, with documentation of the damage, and a claim should be filed online. SEE IMPORTANT NOTES IN MISSING AND DAMAGED ITEMS SECTION TO FOLLOW.
- Regional delivery services are available in select markets. Rates and delivery services vary by market.

Warehouse Pickup Orders

- Orders must be picked up within 10 business days of receiving the ready for pick-up email notification.
- After 10 business days has passed, storage fees will begin to accumulate as follows:
 - \$25/day per open order
 - Fees will accumulate up to two weeks maxing out at \$250
 - Five weeks after the ready for pickup notification has been sent, the order will be returned back to inventory and refunded less the max \$250 and a 10% restocking fee.
- If storage fees are applied to your order(s), the order(s) will be released for pickup after any fees assessed are paid for in full.
- Orders placed for warehouse pickup are not palletized, wrapped, or strapped for shipping purposes.
 - If you are sending a delivery service that requires secure palletizing of products the order will incur additional packaging and labor fees and must be approved by Cabinet Corp prior to pick up.
- For liability purposes, Cabinet Corp will not help load warehouse

pick-up orders without approval from the pick-up party.

- Orders must be picked up in safe and compatible condition in accordance with the product and environment. Cabinet Corp cannot be held liable for damage that occurs due to improper weather or equipment conditions.
- Cabinet Corp will not accept transit damage claims on warehouse pick-up orders that are picked up and/or shipped with delivery services contracted out at the dealer's discretion.

Replacements for Missing or Damaged Items (Including Concealed Damage)

- Cabinet Corp has the final determination of resolution for any manufacturer warranty claims submitted. Solutions should be discussed with Cabinet Corp prior to being promised to the end customer.
- Blemishes or other damages not impacting the structural integrity of a cabinet will not warrant a full cabinet replacement. Cabinet Corp reserves the right to provide alternative products or components as solutions.
- Freight claims for obvious damage or shortage can only be accepted when indicated on the delivery receipt.
- Freight damage claims must be filed within 5 business days. No claims will be allowed without the proper paperwork noting the damage at the time of delivery.
- To file a claim for damage or a shortage, please log into our website and use our damage claim module.
- The following must be included to process the claim:
 - Order number
 - Buyer's name
 - Shipping address for replacements
 - Brief description of damage or shortage, including item numbers and/or parts
 - Pictures of the damaged packaging and product are required to be eligible for full replacement.
- Upon receipt of the damage claim, we will review the request within 48 business hours. Replacements will then be shipped out within 24-48 hours.
- Expedited shipping service is NOT available for replacements and/or parts.
- All damages must be documented and reported upon opening the boxes.
- Missing items must be reported within two weeks from delivery.
- Concealed damages must be reported within one month from delivery.
- Items that have been assembled and installed cannot be claimed as damaged.
- Cabinet Corp cannot be held responsible for any labor costs accrued during the installation of any of its products sold via any of its channels of distribution. This includes, but is not limited to, items that may be flawed or have become damaged in transit.

Terms and Conditions

Return Merchandise Authorizations (RMA)

- All returns must be authorized by Cabinet Corp prior to return shipment.
- For authorization, please send an email request to support@cabinetcorp.com.
- Returns must be received by Cabinet Corp within 30 days of purchase.
- All items must be returned in original, unopened packaging; therefore, NO RETURNS ON ASSEMBLED CABINETS.
- No returns on trims, mouldings, fillers, panels, or sales tools.
- No returns on discontinued cabinet styles.
- QUALIFYING returns will incur a 20% RESTOCKING FEE.
- The customer is responsible for setting up and covering all return shipments.
- Any returned product DEEMED UNSELLABLE WILL NOT RECEIVE CREDIT.

Marketing Policies

- Cabinet Corp cannot be held liable for applicable marketing costs for marketing our products.
- Private labeling is done at the dealer's discretion.
- The use of any images and sales materials in your private label marketing can be released by emailing info@cabinetcorp.com.

Display Policy

Cabinet Corp is happy to partner with our displaying dealers. We now offer a 50% credit on Cabinet Corp cabinetry products that are ordered and installed in a dealer's showroom. Cabinetry can only be for display, not for functional use. Desks, bathrooms, breakrooms, etc. are not eligible for rebate. Each dealer can earn up to a total of \$2,500 in credits. The display items must be ordered online, paid in full, and pictures sent to info@cabinetcorp.com of showroom installation before a credit can be released. Please note: Items shipped directly to customers (drop-shipped) do not qualify for the Display Program.

Third-Party Design Programs

Cabinet Corp does not guarantee the accuracy of any third-party design software. This includes (but is not limited to) Design Flex (2020 Design) and ProKitchen Design softwares. For accurate product specifications and pricing, please refer to your dealer portal.

FAQ

Construction

Are your cabinets constructed with solid wood?

Framed Collections

- Doors and Drawer Fronts -
 - All stained finished doors, drawer fronts, and frames are constructed from 3/4" solid Birch hardwood. Our Cambridge style has a solid birch center panel, while our stained Shaker Hazelnut, Dusk have a veneered MDF center panel.
 - Our painted styles feature an all HDF door: Shaker White, Shaker Grey, Shaker Dusk, Shaker Antique White, Shaker Navy, Shaker Black, Everest White, Oakley White, Oakley Sage, Tacoma White, and Cambridge Antique White.
- Cabinet Box - Our framed cabinet boxes are constructed from solid Birch hardwoods and furniture grade plywood. All materials are CARB2 compliant for standard US restrictions for formaldehyde emissions.
- Drawer Box - Our framed cabinetry features four-sided drawer boxes constructed from 5/8" thick solid hardwood, dovetail joints, and a fully captured 3/8" thick plywood floor.

Frameless (Full Access) Collection

- Doors and Drawer Fronts
 - Our Tempo style features a fully edge banded, thermofused textured melamine over engineered wood, with a matching back.
 - Our Palena style features a fully edge banded, high-gloss PET laminate over engineered wood, with a matte melamine back.
- Cabinet Box - Our frameless cabinet boxes are constructed using MDF and furniture grade plywood. All materials are CARB2 compliant for restricted formaldehyde emissions.
- Drawer Box - Our frameless cabinetry comes standard with our Altamax drawer box. The Altamax drawer box is a four-piece construction box complete with 1/2" thick metal sides and 5/8" thick thermofused melamine engineered wood back and floor.

How is the interior of the cabinet finished?

Framed Capital Collection

- Our framed cabinetry comes standard with UV coated natural interiors. Glassdoor (GD) cabinets have interiors that are painted or stained to match the exterior.

Full Access Frameless

- Our altaeuro cabinets feature a grey linen thermofused melamine in and out.

Are your cabinets CARB2 certified?

Yes, all Cabinet Corp products are 100% in compliance with CARB Phase 1 and CARB Phase 2 defined guidelines of composite wood products.

Are your cabinets strong enough to support a granite countertop?

Our plywood core construction for all of our cabinets ensures the strength required to support granite, concrete, or any other countertop material that you may select. No additional cabinet reinforcement is required.

Do your cabinets have soft-close doors and drawers?

Soft-close doors and drawers are standard on all of our current cabinet collections (excludes select discontinued styles).

Is a finished panel required for exposed cabinet ends?

Framed Capital Collection

- No, all of our framed cabinets come with finished exteriors.

Full Access Frameless

- Features a standard grey linen thermofused melamine exterior, so panels will be needed to finish the exposed ends.

How much weight can the cabinet drawers hold?

Framed Capital Collection

- Our framed cabinet drawers have a weight capacity of 70 lbs.

Full Access Frameless

- Our Altamax drawer boxes have the following weight capacities:
 - K-height (5") 88 lbs
 - C-height (6-3/4") 132 lbs.

Do you sell paint color or stains that match the finishes of the cabinetry you offer?

We do not carry the paint colors or stains to sell direct but we have partnered with Sherwin Williams for easy access to purchase our finishes. Simply visit a Sherwin Williams in your area, let them know you are interested in a customer paint color or stain from their National Accounts database under the profile name 'BG1'. Once the store associate has accessed the account successfully, provide them with the paint color/stain you are looking for.

Retail locations can assist with matching any paint color for your projects however, paint colors and stains are only recommended for smaller items such as trims and mouldings. For an accurate match for larger items, you will need to contact a Sherwin Williams Professional Coatings Group.

Ordering

What forms of payment do you accept?

We accept all major credit cards (Visa, American Express, MasterCard, and Discover), debit card and PayPal.

How can I check the status of my order?

You can view the progress of your orders by logging onto your account and selecting 'My Order' under the 'My Account' dropdown menu. The order status will be displayed next to your order as well as any tracking information if the order has shipped.

Do you offer credit terms?

We currently do not offer any sort of credit terms to our customers. All orders must be paid in full prior to processing and shipping any orders.

What is your return policy?

We do accept returns in certain circumstances. Please see the 'Return Merchandise Authorizations (RMA)' section of our Terms and Conditions for details.

Delivery

How do you ship your cabinetry?

Most orders will be shipped on a pallet via an LTL (Less than Truckload) carrier. Some smaller items may ship through a small parcel carrier.

How long will it take to receive my cabinets?

Flat-Pack Orders

- Flat-pack orders are processed and shipped out of our facilities within 3 full business days depending on the service chosen during checkout. Transit time to your location can vary from 1-6 business days depending on your location and the services required at delivery. (Backorders are exempt from normal lead times.)

FAQ

Assembled Orders

- Standard assembled orders are processed and shipped within 10 full business days. Transit time to your location can vary from 1-6 business days depending on your location and the services required at delivery. (Backorders and modification orders are exempt from normal lead times.)

What if my delivery includes damaged cabinets?

If your order is received damaged, please notate any damages with the freight company on the delivery receipt when accepting the delivery and take photos of the damaged items. Most importantly, do not refuse the shipment. Submit a claim online with the photos of the damages or send them immediately to support@cabinetcorp.com. Cabinet Corp will review and replace damaged pieces in a timely manner.

Warranty Information

Limited Lifetime Warranty

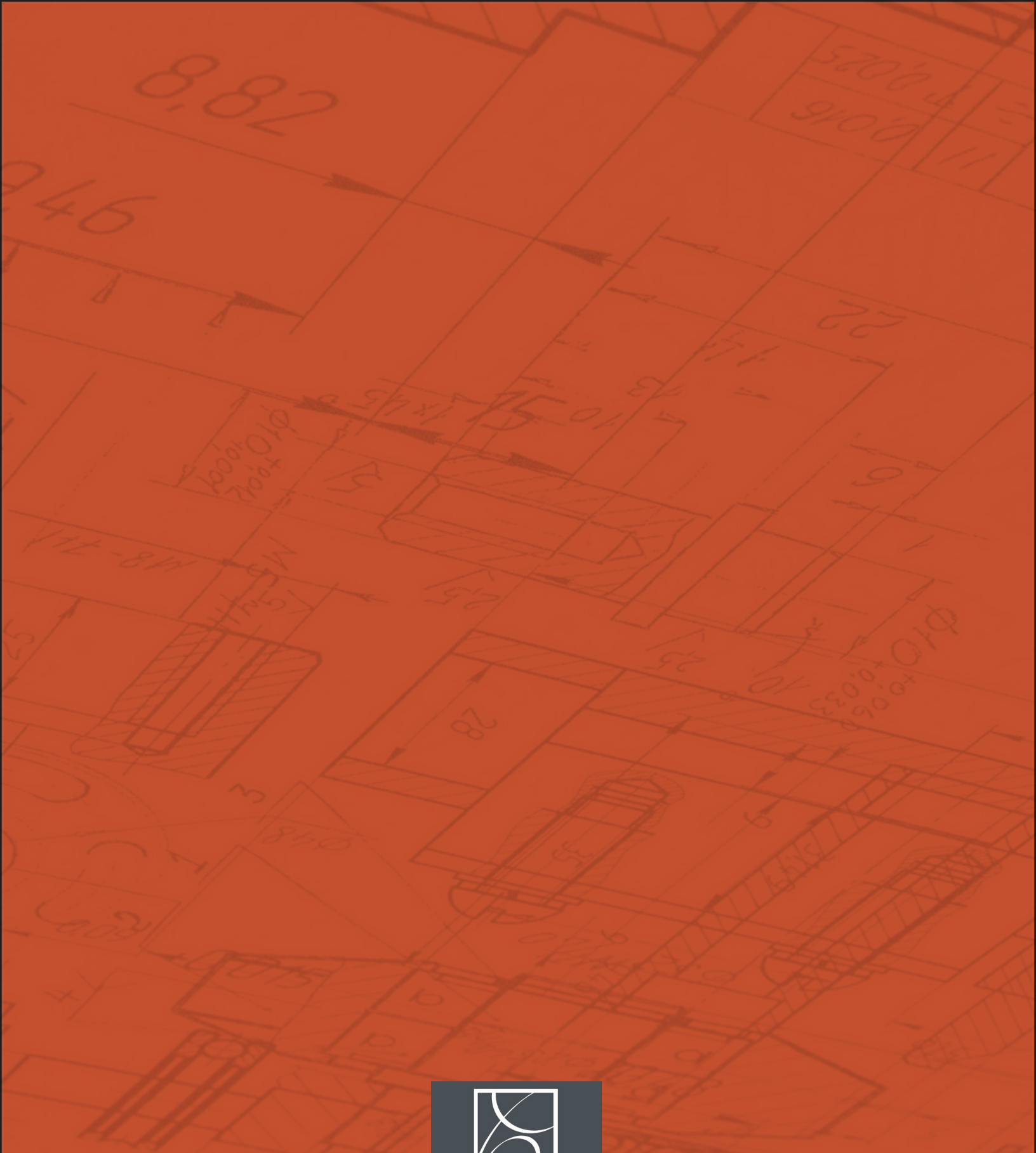
Brothers Global Inc. warrants to the original consumer purchaser that Cabinet Corp cabinetry, door hinges, and drawer glides will be free from defects in material and workmanship under normal use and service for the lifetime of the product (Proof of Purchase is required). This warranty is not transferable and only applicable to product used for residential purposes. Representatives of Cabinet Corp do not have the authority to change or enlarge this warranty.

This warranty does not cover normal wear and tear, damage or defects caused by accidents, misuse, abuse, or lack of necessary maintenance; nor does it cover alteration, modification, improper installation, improper handling / storage, environmental conditions, nor any labor expenses. Brothers Global Inc., at our option, may elect to repair or replace with a functionally equivalent product any Cabinet Corp product covered by this warranty. Some replacement parts are subject to availability and may differ from original parts received. Return of defective product may be required for a replacement to be issued. Repair parts or replacement parts are at the expense of Brothers Global Inc., but customer shall bear all other expenses. These expenses may include, but are not limited to, cost of removal and re-installation of product, labor expenses, etc.

In alignment with the inherent variability found in wood products, we deeply value and embrace the unique characteristics present in each piece of wood. Our recognition and celebration of wood's natural beauty encompass its inherent diversities in color, grain pattern, and direction, all of which contribute to its aesthetic charm without compromising its quality. Additional environmental factors, including but not limited to artificial/natural light, moisture, cleaners, smoke, etc, may cause darkening or mellowing of a cabinet over time. This is a natural process and can be expected. It's imperative to highlight that while we stand behind the integrity of our products, expected variations in color, grain, and aging are not indicative of manufacturing defects and will not prompt a replacement. Therefore, we meticulously assess color warranty claims pertaining to cabinet front exteriors, excluding the referenced aging or environmental damage, and honor genuine discrepancies in color resulting from manufacturing error, which are not intrinsic to wood, and are reported within the stipulated timeframe outlined in our Terms and Conditions.

Please note that variations in the natural wood color, pattern, grain, and direction within the cabinet's interior and not exposed after proper and intended installation do not warrant cabinet or parts replacement. Some of the cabinet lines feature a glazed finish which accentuates the door and drawer front profiles. This glaze is hand applied over a stain or paint and may, due to the nature of application, consist of random drips, runs, etc. As glazing is a hand applied process, there will be variations in color and appearance from door to door and cabinet to cabinet. This is not considered a defect and is considered normal with hand applied finishes. It is the nature of wood to expand and contract to varying degrees depending on climate conditions. As a result, cabinet lines with painted surfaces may show fractures in the paint at joints. This is normal and is not considered a defect.

This warranty is valid only in the United States of America and Canada and is not transferable. All implied warranties are limited in duration to the shorter of the period provided by law or the period of this warranty. To the extent permitted by law, this warranty excludes special, incidental, or consequential damages. Some states do not allow the exclusion or limitations of incidental or consequential damages or limitations on how long an implied warranty lasts, so the above limitations or exclusions may not apply to you. This warranty gives you specific legal rights; you may have other rights which vary from state to state. To exercise this warranty, please contact the Cabinet Corp supplier from whom you purchased the product. Report, in writing, to support@cabinetcorp.com all defects claimed and include proof of purchase documentation.



CABINET
CORP™

cabinetcorp.com | (855) 216-7970